

Wire Traps/Jumpers/holders

Wire Traps

Overview	I-2
1.50mm (.059") Pitch	I-3
2.00mm (.079") Pitch	I-4 to I-7
2.50mm (.098") Pitch	I-8 to I-10

Jumper Sockets

Overview	I-11
1.25mm (.049") Pitch	I-12
1.50mm (.059") Pitch	I-13
2.00mm (.079") Pitch	I-14 to I-17

Cable Holders

Overview	I-18
1.25mm (.049") Pitch	I-19
1.50mm (.059") Pitch	I-20 to I-21
2.00mm (.079") Pitch	I-22 to I-25
2.50mm (.098") Pitch	I-26 to I-27

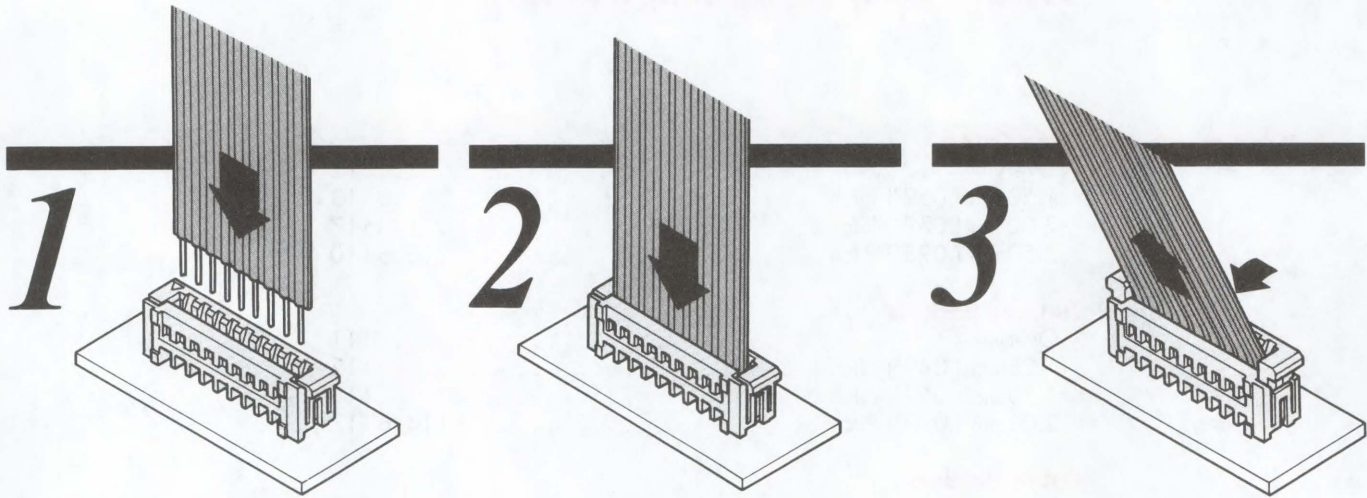


For more information, please see the last page of the catalog for the location nearest you or contact:

INTRODUCTION

Molex Wire Trap connectors minimize your harness assembly costs and provide secure cable retention for multiple cycles. We offer 2 types of Wire Traps: our standard push-cover version (52004, 52007 and 52008) and a new low-profile pull-cover version (52147, 52151 and 52380)

Wire Traps/Jumpers/ Holders

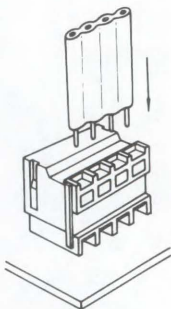


With the cover in the down position, insert the trimmed cable end into the connector.

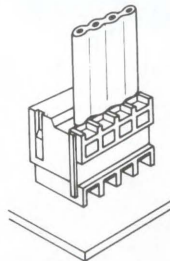
The spring force of the terminals holds the cable leads securely in place.

To release the cable, first lift the cover, pulling up on both sides. For minimum extraction force, pull the cable out at a 45° angle. Push cover back into down position before inserting cable again.

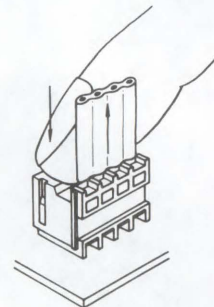
Push-Cover Style



Insert the trimmed cable end into the connector.



The spring force of the connector terminals holds the cable leads securely in place (1kg per circuit retention force).



Press the cover of the connector and the cable lifts out easily. Pressing the connector can also facilitate insertion by minimizing the force required.

FEATURES AND SPECIFICATIONS

Features and Benefits

- Sizes 3 to 15 circuits
- For topcoated ribbon cable
- Wire range: 24 to 26 AWG
- Insulation diameter: 1.50mm max.
- Strip length: 7.00mm

Reference Information

Packaging: Tray
Designed In: Millimeters

Electrical

Voltage: 150V
Current: 2.5A
Contact Resistance: 20mΩ max.
Dielectric Withstanding Voltage: 500V AC/1 min.
Insulation Resistance: 1000 MΩ min.

Mechanical

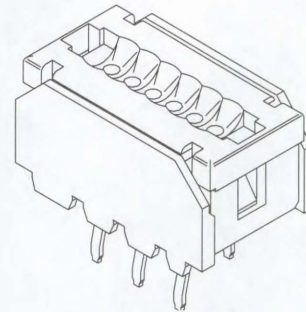
Wire Insertion Force: 0.5kgf max. (4.9N)
Wire Retention Force: 1.0kgf min. (9.8N)

Physical

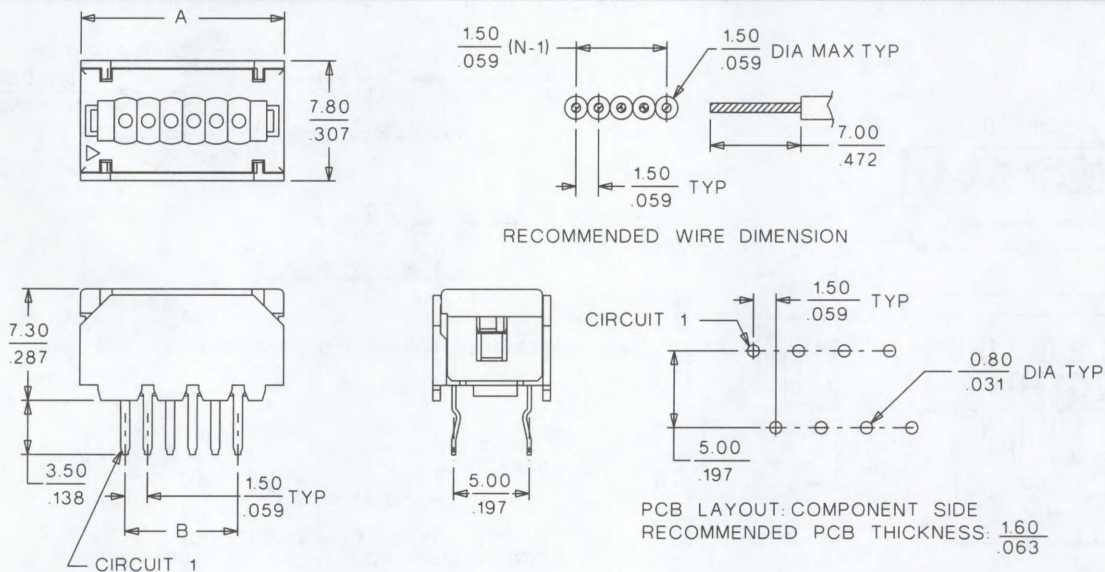
Housing: Glass-filled PBTP, UL 94V-0
Contact: Phosphor Bronze
Plating: Tin
Operating Temperature: -40 to +105°C

molex® 1.50mm (.059") Pitch Wire Trap

52004 Push-Cover Style Vertical



CATALOG DRAWING (FOR REFERENCE ONLY)



ORDERING INFORMATION AND DIMENSIONS

Circuits	Order No.	Dimension	
		A	B
3	52004-0310	9.00 (.354)	3.00 (.118)
4	52004-0410	10.50 (.413)	4.50 (.177)
5	52004-0510	12.00 (.472)	6.00 (.236)
6	52004-0610	13.50 (.531)	7.50 (.295)
7	52004-0710	15.00 (.591)	9.00 (.354)
8	52004-0810	16.50 (.650)	10.50 (.413)
9	52004-0910	18.00 (.709)	12.00 (.472)
10	52004-1010	19.50 (.768)	13.50 (.531)
11	52004-1110	21.00 (.827)	15.00 (.590)
12	52004-1210	22.50 (.886)	16.50 (.649)
13	52004-1310	24.00 (.945)	18.00 (.709)
14	52004-1410	25.50 (1.004)	19.50 (.768)
15	52004-1510	27.00 (1.063)	21.00 (.827)

FEATURES AND SPECIFICATIONS

Features and Benefits

- Sizes 2 to 17 circuits
- For topcoated ribbon cable
- Wire range: 26 AWG
- Insulation diameter: 1.60mm max.
- Strip length: 4.50mm

Reference Information

Packaging: Tray
 UL File No.: E29179
 Designed In: Millimeters

Electrical

Voltage: 150V
 Current: 2.0A
 Contact Resistance: 20mΩ max.
 Dielectric Withstanding Voltage: 500V AC/1 min.
 Insulation Resistance: 1000 MΩ min.

Mechanical

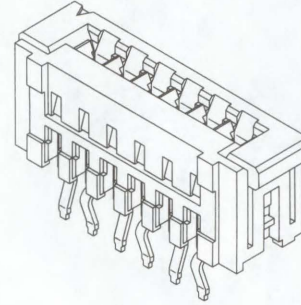
Wire Insertion Force: 0.5kgf max. (4.9N)
 Wire Retention Force: 1.5kgf min. (14.7N)

Physical

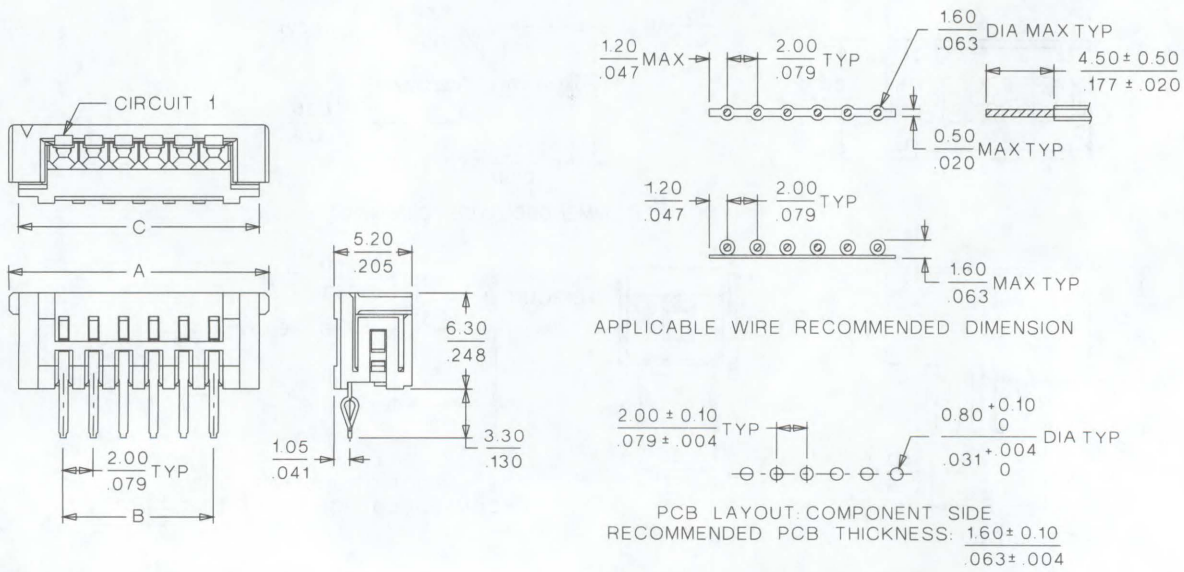
Housing: Glass-filled PBTP, UL 94V-0
 Actuator: Glass-filled PBTP, UL 94V-0
 Contact: Phosphor Bronze
 Plating: Tin
 Operating Temperature: -40 to +105°C

molex® 2.00mm (.079") Pitch Wire Trap

52147 Pull-Cover Style Vertical



CATALOG DRAWING (FOR REFERENCE ONLY)



ORDERING INFORMATION AND DIMENSIONS

Circuits	Order No.	Dimension		
		A	B	C
2	52147-0210	9.30 (.366)	2.00 (.079)	8.00 (.315)
3	52147-0310	11.30 (.445)	4.00 (.157)	10.00 (.344)
4	52147-0410	13.30 (.524)	6.00 (.236)	12.00 (.472)
5	52147-0510	15.30 (.602)	8.00 (.314)	14.00 (.551)
6	52147-0610	17.30 (.681)	10.00 (.393)	16.00 (.630)
7	52147-0710	19.30 (.760)	12.00 (.472)	18.00 (.709)
8	52147-0810	21.30 (.839)	14.00 (.551)	20.00 (.787)
9	52147-0910	23.30 (.917)	16.00 (.629)	22.00 (.866)
10	52147-1010	25.30 (.996)	18.00 (.708)	24.00 (.945)
11	52147-1110	27.30 (1.075)	20.00 (.787)	26.00 (1.024)
12	52147-1210	29.30 (1.154)	22.00 (.866)	28.00 (1.102)
13	52147-1310	31.30 (1.232)	24.00 (.944)	30.00 (1.181)
14	52147-1410	33.30 (1.311)	26.00 (1.023)	32.00 (1.260)
15	52147-1510	35.30 (1.390)	28.00 (1.102)	34.00 (1.339)
16	52147-1610	37.30 (1.469)	30.00 (1.181)	36.00 (1.417)
17	52147-1710	39.30 (1.547)	32.00 (1.260)	38.00 (1.496)

Note: All PC tails kinked opposite ways except two-circuit version which has no kinks

FEATURES AND SPECIFICATIONS

Features and Benefits

- Sizes 2 to 17 circuits
- For topcoated ribbon cable
- Wire range: 26 AWG
- Insulation diameter: 1.60mm max.
- Strip length: 4.50mm

Reference Information

Packaging: Tray
 UL File No.: E29179
 Designed In: Millimeters

Electrical

Voltage: 150V
 Current: 2.0A
 Contact Resistance: 20mΩ max.
 Dielectric Withstanding Voltage: 500V AC/1 min.
 Insulation Resistance: 1000 MΩ min.

Mechanical

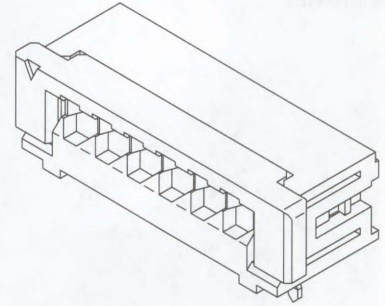
Wire Insertion Force: 0.5kgf max. (4.9N)
 Wire Retention Force: 1.5kgf min. (14.7N)

Physical

Housing: Glass-filled PBTP, UL 94V-0
 Actuator: Glass-filled PBTP, UL 94V-0
 Contact: Phosphor Bronze
 Plating: Tin
 Operating Temperature: -40 to +105°C

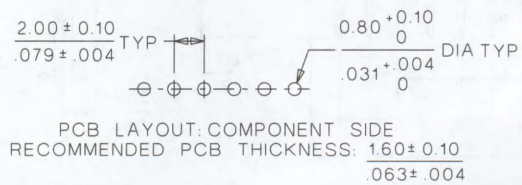
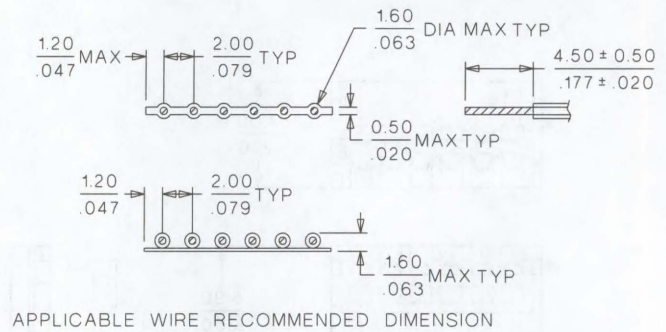
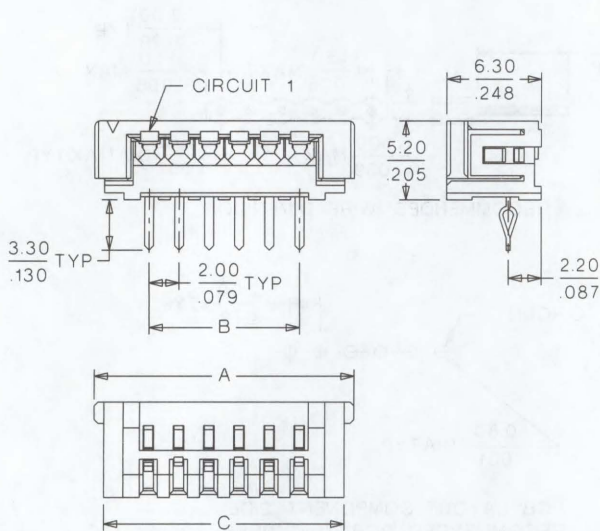
molex® 2.00mm (.079") Pitch Wire Trap

52151 Pull-Cover Style Right Angle



Wire Traps/Jumpers/ Holders

CATALOG DRAWING (FOR REFERENCE ONLY)



ORDERING INFORMATION AND DIMENSIONS

Circuits	Order No.	Dimension		
		A	B	C
2	52151-0210	9.30 (.366)	2.00 (.079)	8.00 (.315)
3	52151-0310	11.30 (.445)	4.00 (.157)	10.00 (.344)
4	52151-0410	13.30 (.524)	6.00 (.236)	12.00 (.472)
5	52151-0510	15.30 (.602)	8.00 (.314)	14.00 (.551)
6	52151-0610	17.30 (.681)	10.00 (.393)	16.00 (.630)
7	52151-0710	19.30 (.760)	12.00 (.472)	18.00 (.709)
8	52151-0810	21.30 (.839)	14.00 (.551)	20.00 (.787)
9	52151-0910	23.30 (.917)	16.00 (.629)	22.00 (.866)
10	52151-1010	25.30 (.996)	18.00 (.708)	24.00 (.945)
11	52151-1110	27.30 (1.075)	20.00 (.787)	26.00 (1.024)
12	52151-1210	29.30 (1.154)	22.00 (.866)	28.00 (1.102)
13	52151-1310	31.30 (1.232)	24.00 (.944)	30.00 (1.181)
14	52151-1410	33.30 (1.311)	26.00 (1.023)	32.00 (1.260)
15	52151-1510	35.30 (1.390)	28.00 (1.102)	34.00 (1.339)
16	52151-1610	37.30 (1.469)	30.00 (1.181)	36.00 (1.417)
17	52151-1710	39.30 (1.547)	32.00 (1.260)	38.00 (1.496)

Note: All PC tails kinked opposite ways except two-circuit version which has no kinks

FEATURES AND SPECIFICATIONS

Features and Benefits

- Sizes 2 to 12 circuits
- For topcoated ribbon cable
- Wire range: 24 to 26 AWG
- Insulation diameter: 1.70mm max.
- Strip length: 6.00mm

Reference Information

Packaging: Tray
 UL File No.: E29179
 Designed In: Millimeters

Electrical

Voltage: 150V
 Current: 3.0A
 Contact Resistance: 20mΩ max.
 Dielectric Withstanding Voltage: 500V AC/1 min.
 Insulation Resistance: 1000 MΩ min.

Mechanical

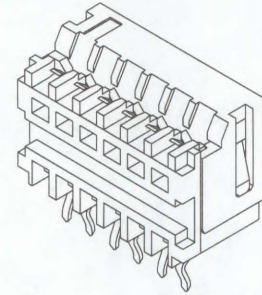
Wire Insertion Force: 0.5kgf max. (4.9N)
 Wire Retention Force: 1.0kgf min. (9.8N)

Physical

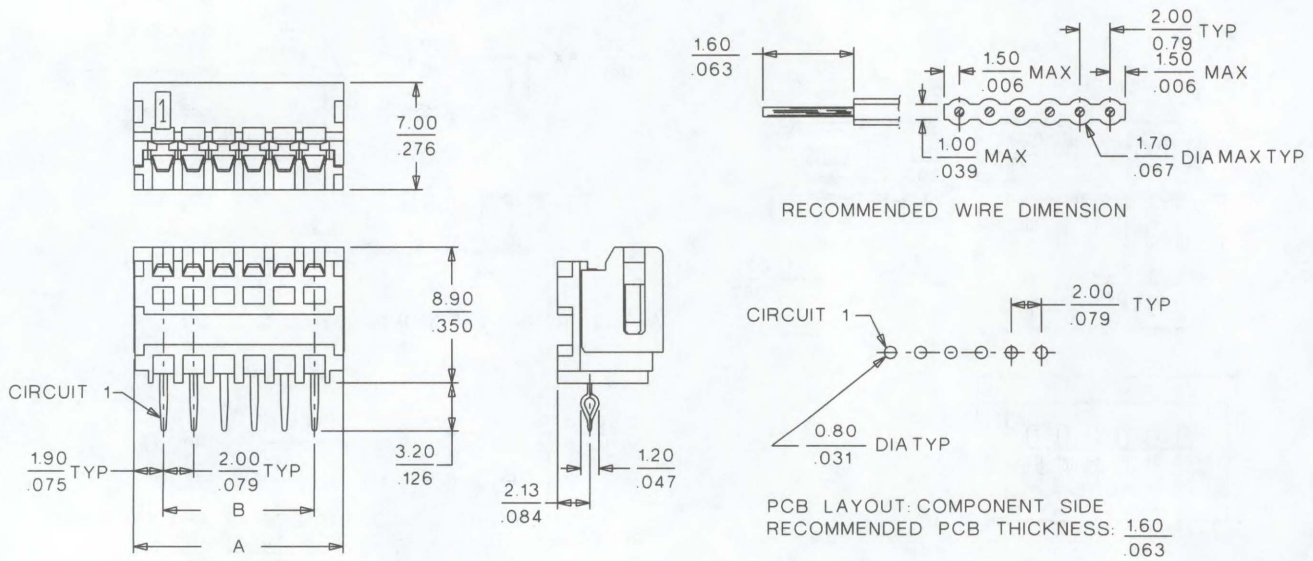
Housing: Glass-filled PBTP, UL 94V-0
 Contact: Phosphor Bronze
 Plating: Tin
 Operating Temperature: -40 to +105°C

molex® 2.00mm (.079") Pitch Wire Trap

52007 Push-Cover Style Vertical



CATALOG DRAWING (FOR REFERENCE ONLY)



ORDERING INFORMATION AND DIMENSIONS

Circuits	Order No.	Dimension	
		A	B
2	52007-0210	5.80 (.228)	2.00 (.079)
3	52007-0310	7.80 (.307)	4.00 (.157)
4	52007-0410	9.80 (.386)	6.00 (.236)
5	52007-0510	11.80 (.464)	8.00 (.315)
6	52007-0610	13.80 (.543)	10.00 (.393)
7	52007-0710	15.80 (.622)	12.00 (.472)
8	52007-0810	17.80 (.701)	14.00 (.551)
9	52007-0910	19.80 (.780)	16.00 (.630)
10	52007-1010	21.80 (.858)	18.00 (.709)
11	52007-1110	23.80 (.937)	20.00 (.787)
12	52007-1210	25.80 (1.016)	22.00 (.866)

Note: All PC tails kinked opposite ways except two-circuit version which is kinked in the same direction

FEATURES AND SPECIFICATIONS

Features and Benefits

- Sizes 2 to 12 circuits
- For topcoated ribbon cable
- Wire range: 24 to 26 AWG
- Insulation diameter: 1.70mm max.
- Strip length: 6.00mm

Reference Information

Packaging: Tray
 UL File No.: E29179
 Designed In: Millimeters

Electrical

Voltage: 150V
 Current: 3.0A
 Contact Resistance: 20mΩ max.
 Dielectric Withstanding Voltage: 500V AC/1 min.
 Insulation Resistance: 1000 MΩ min.

Mechanical

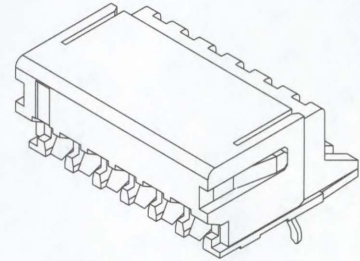
Wire Insertion Force: 0.5kgf max. (4.9N)
 Wire Retention Force: 1.0kgf min. (9.8N)

Physical

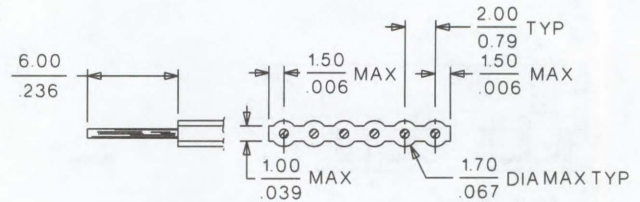
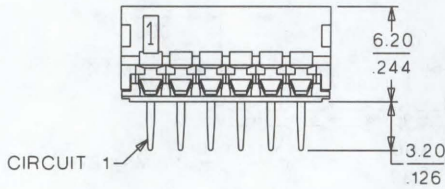
Housing: Glass-filled PBTP, UL 94V-0
 Contact: Phosphor Bronze
 Plating: Tin
 Operating Temperature: -40 to +105°C

molex® 2.00mm (.079") Pitch Wire Trap

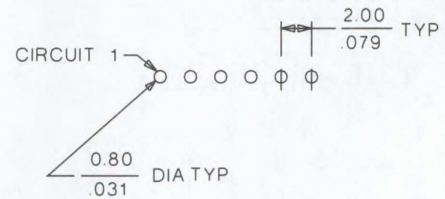
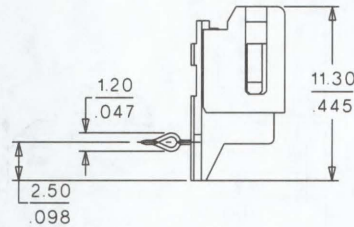
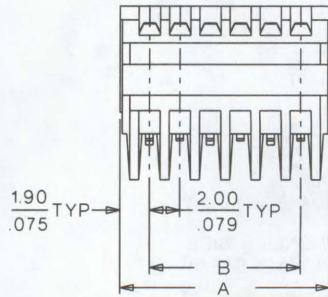
52008 Push-Cover Style Right Angle



CATALOG DRAWING (FOR REFERENCE ONLY)



RECOMMENDED WIRE DIMENSION



PCB LAYOUT: COMPONENT SIDE
 RECOMMENDED PCB THICKNESS: 1.60 / .063

ORDERING INFORMATION AND DIMENSIONS

Circuits	Order No.	Dimension	
		A	B
2	52008-0210	5.80 (.228)	2.00 (.079)
3	52008-0310	7.80 (.307)	4.00 (.157)
4	52008-0410	9.80 (.386)	6.00 (.236)
5	52008-0510	11.80 (.464)	8.00 (.315)
6	52008-0610	13.80 (.543)	10.00 (.393)
7	52008-0710	15.80 (.622)	12.00 (.472)
8	52008-0810	17.80 (.701)	14.00 (.551)
9	52008-0910	19.80 (.780)	16.00 (.630)
10	52008-1010	21.80 (.858)	18.00 (.709)
11	52008-1110	23.80 (.937)	20.00 (.737)
12	52008-1210	25.80 (1.016)	22.00 (.866)

Note: All PC tails kinked opposite ways except two-circuit version which is kinked in the same direction

FEATURES AND SPECIFICATIONS

molex® 2.50mm (.098") Pitch Wire Trap

52011 Push-Cover Style Vertical

Features and Benefits

- Sizes 2 to 12 circuits
- For topcoated ribbon cable
- Wire range: 24 to 26 AWG
- Insulation diameter: 1.70mm max.
- Strip length: 6.00mm

Reference Information

Packaging: Tray
 UL File No.: E29179
 Designed In: Millimeters

Electrical

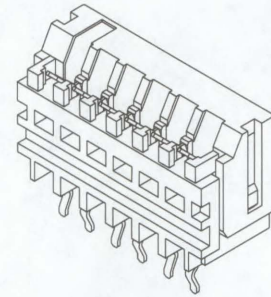
Voltage: 250V
 Current: 3.0A
 Contact Resistance: 20mΩ max.
 Dielectric Withstanding Voltage: 1000V AC/1 min.
 Insulation Resistance: 1000 MΩ min.

Mechanical

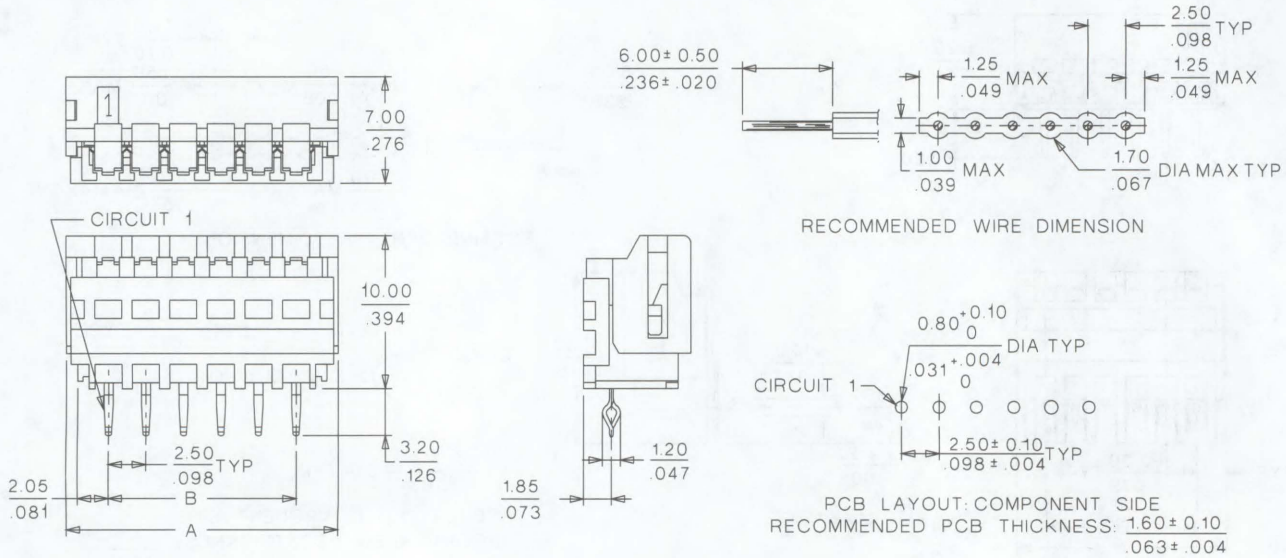
Wire Insertion Force: 0.5kgf max. (4.9N)
 Wire Retention Force: 1.2kgf min. (11.8N)

Physical

Housing: Glass-filled PBTP, UL 94V-0
 Contact: Phosphor Bronze
 Plating: Tin
 Operating Temperature: -40 to +105°C



CATALOG DRAWING (FOR REFERENCE ONLY)



ORDERING INFORMATION AND DIMENSIONS

Circuits	Order No.	Dimension	
		A	B
2	52011-0210	8.10 (.319)	2.50 (.098)
3	52011-0310	10.60 (.417)	5.00 (.197)
4	52011-0410	13.10 (.516)	7.50 (.295)
5	52011-0510	15.60 (.614)	10.00 (.394)
6	52011-0610	18.10 (.713)	12.50 (.492)
7	52011-0710	20.60 (.811)	15.00 (.591)
8	52011-0810	23.10 (.909)	17.50 (.689)
9	52011-0910	25.60 (1.008)	20.00 (.787)
10	52011-1010	28.10 (1.106)	22.50 (.886)
11	52011-1110	30.60 (1.204)	25.00 (.985)
12	52011-1210	33.10 (1.303)	27.50 (1.083)

FEATURES AND SPECIFICATIONS

Features and Benefits

- Sizes 2 to 12 circuits
- For topcoated ribbon cable
- Wire range: 24 to 26 AWG
- Insulation diameter: 1.70mm max.
- Strip length: 6.00mm

Reference Information

Packaging: Tray
 UL File No.: E29179
 Designed In: Millimeters

Electrical

Voltage: 250V
 Current: 3.0A
 Contact Resistance: 20mΩ max.
 Dielectric Withstanding Voltage: 1000V AC/1 min.
 Insulation Resistance: 1000 MΩ min.

Mechanical

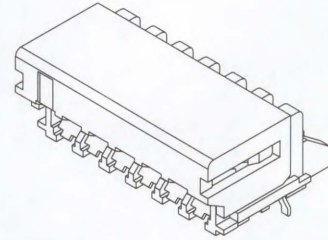
Wire Insertion Force: 0.5kgf max. (4.9N)
 Wire Retention Force: 1.2kgf min. (11.8N)

Physical

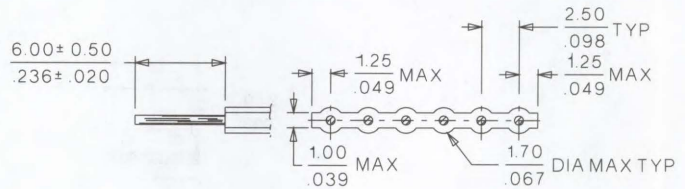
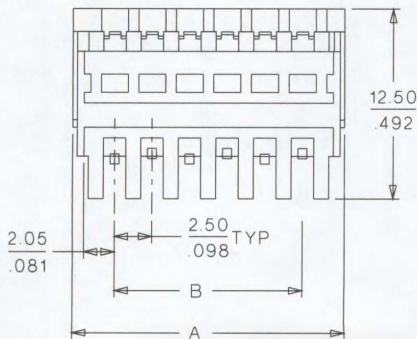
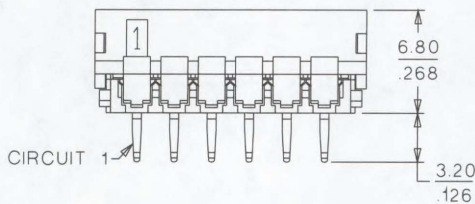
Housing: Glass-filled PBTP, UL 94V-0
 Contact: Phosphor Bronze
 Plating: Tin
 Operating Temperature: -40 to +105°C

molex® 2.50mm (.098") Pitch Wire Trap

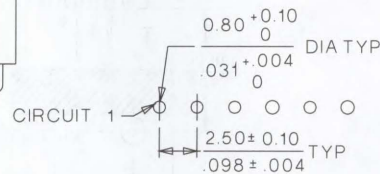
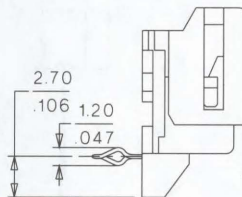
52012 Push-Cover Style Right Angle



CATALOG DRAWING (FOR REFERENCE ONLY)



RECOMMENDED WIRE DIMENSION



PCB LAYOUT: COMPONENT SIDE
 RECOMMENDED PCB THICKNESS: 1.60 ± 0.10 / .063 ± .004

ORDERING INFORMATION AND DIMENSIONS

Circuits	Order No.	Dimension	
		A	B
2	52012-0210	8.10 (.319)	2.50 (.098)
3	52012-0310	10.60 (.417)	5.00 (.197)
4	52012-0410	13.10 (.516)	7.50 (.295)
5	52012-0510	15.60 (.614)	10.00 (.394)
6	52012-0610	18.10 (.713)	12.50 (.492)
7	52012-0710	20.60 (.811)	15.00 (.591)
8	52012-0810	23.10 (.909)	17.50 (.689)
9	52012-0910	25.60 (1.008)	20.00 (.787)
10	52012-1010	28.10 (1.106)	22.50 (.886)
11	52012-1110	30.60 (1.204)	25.00 (.985)
12	52012-1210	33.10 (1.303)	27.50 (1.083)

FEATURES AND SPECIFICATIONS

Features and Benefits

- Sizes 2 to 7 circuits
- Wire range: 24 to 26 AWG
- Insulation diameter: 1.70mm max.
- Strip length: 6.00mm

Reference Information

Packaging: Radial Tape
Designed In: Millimeters

Electrical

Voltage: 150V

Current:

2 and 3 circuits—3.0A

4 to 7 circuits—2.5A

Contact Resistance: 20mΩ max.

Dielectric Withstanding Voltage: 500V AC/1 min.

Insulation Resistance: 1000 MΩ min.

Physical

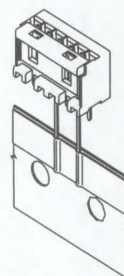
Housing: Glass-filled polyester, UL 94V-0

Contact: Phosphor Bronze

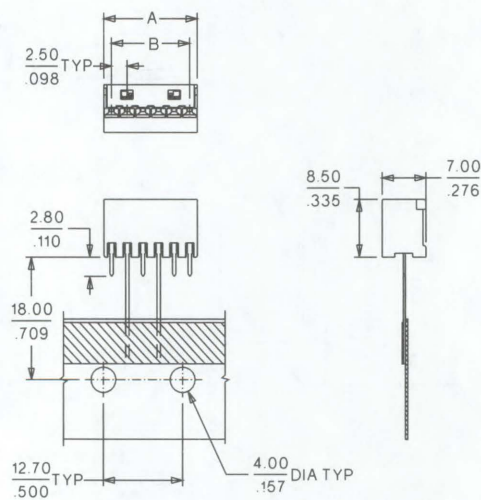
Plating: Tin

Actuator: Glass-filled polyester, UL 94V-0

Operating Temperature: -40 to +105°C


**2.50mm (.098") Pitch
Wire Trap**
52380
**Radial Tape
Pull Cover Style
Vertical**


CATALOG DRAWING (FOR REFERENCE ONLY)

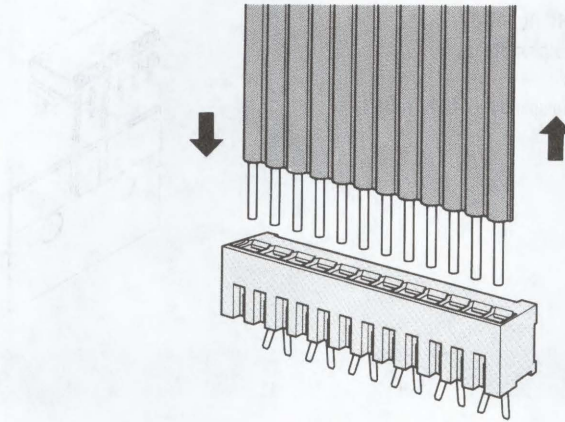


ORDERING INFORMATION AND DIMENSIONS

Circuits	Order No.	Dimension	
		A	B
2	52380-0290	4.95 (.195)	2.50 (.098)
3	52380-0390	7.45 (.293)	5.00 (.197)
4	52380-0490	9.95 (.392)	7.50 (.295)
5	52380-0590	12.45 (.490)	10.00 (.394)
6	52380-0690	14.95 (.589)	12.50 (.492)
7	52380-0790	17.45 (.687)	15.00 (.591)

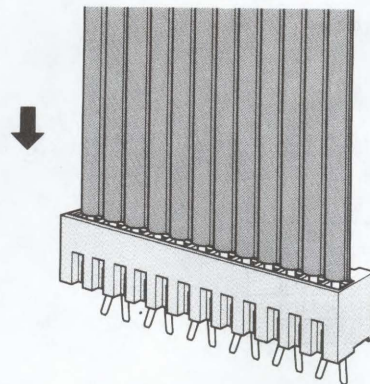
molex® Jumper Sockets
Removable Type

Molex Jumper Sockets provide a simple, one-step method of cable-to-board connection. They can be used together or with our Wire Trap or Cable Holder connectors. Our growing range of Jumper Sockets includes removable styles for several insertions and a permanent type for one-time termination. The permanent type is available in 2.00mm pitch only, while the removable style can be ordered in 1.25, 1.50 and 2.00mm pitch versions.



Cable can be easily inserted and removed.

Permanent Type



Once cable is inserted the leads are held firmly in place and cannot be removed.

FEATURES AND SPECIFICATIONS

Features and Benefits

- Sizes 7, 9, 11, 13 circuits
- For topcoated ribbon cable
- Wire range: 26 AWG
- Insulation diameter: 1.5mm max.
- Strip length: 6.0mm

Reference Information

Packaging: Radial tape
 Designed In: Millimeters

Electrical

Voltage: 125V
 Current: 1.5A
 Contact Resistance: 20mΩ max.
 Dielectric Withstanding Voltage: 500V AC
 Insulation Resistance: 1000 MΩ min.

Mechanical

Wire Insertion Force: 4.9N (0.5kgf) max.
 Wire Retention Force: 1.0N (0.1kgf) min.

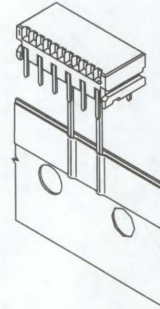
Physical

Housing: PBT, UL 94V-0
 Contact: Phosphor Bronze
 Plating: Tin
 Operating Temperature: -40 to +105°C

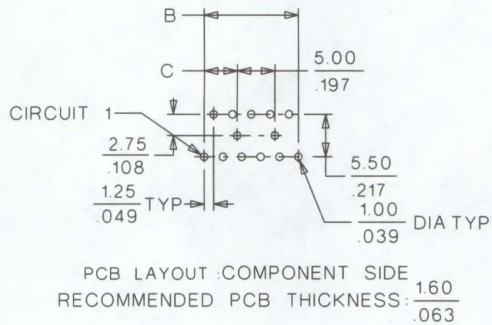
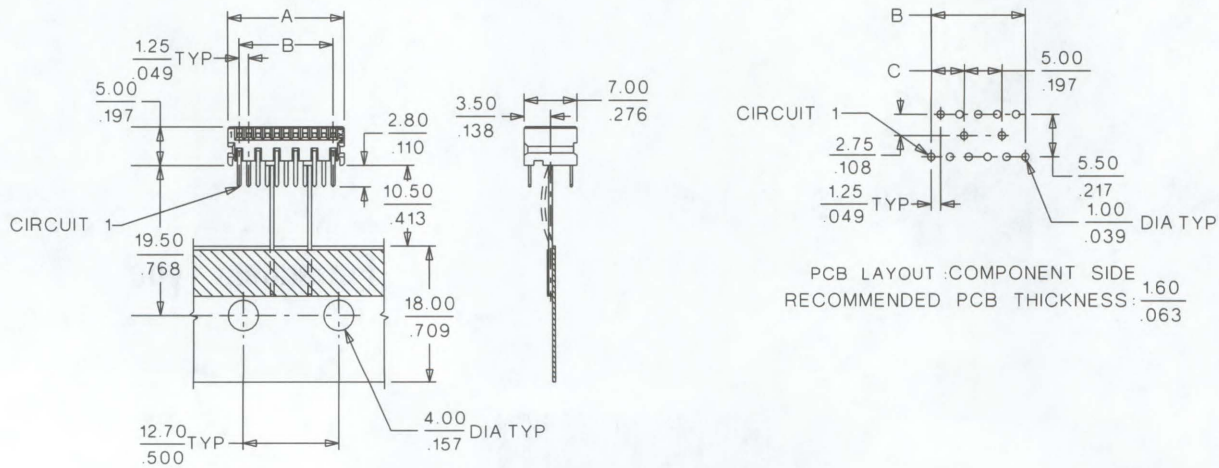
molex® 1.25mm (.049") Pitch Jumper Socket

52433

Removable Type Radial-Tape Style Right Angle



CATALOG DRAWING (FOR REFERENCE ONLY)



ORDERING INFORMATION AND DIMENSIONS

Circuits	Order No.	Dimension		
		A	B	C
7	52433-0790	10.50 (.413)	7.50 (.295)	1.875 (.073)
9	52433-0990	13.00 (.511)	10.00 (.393)	1.875 (.073)
11	52433-1190	15.50 (.610)	12.50 (.492)	4.375 (.172)
13	52433-1390	18.00 (.708)	15.00 (.590)	4.375 (.172)

FEATURES AND SPECIFICATIONS

Features and Benefits

- Sizes 6 to 11, 15, 18 and 19 circuits
- For topcoated ribbon cable
- Wire range: 26 AWG
- Insulation diameter: 1.50mm (.059") max.
- Strip length: 4.50mm (.177")

Reference Information

Packaging: Tray
 UL File No.: E29179
 CSA File No.: LR19980
 Designed In: Millimeters

Electrical

Voltage: 150V
 Current: 1.5A
 Contact Resistance: 20mΩ max.
 Dielectric Withstanding Voltage: 500V AC/1 min.
 Insulation Resistance: 1000 MΩ min.

Mechanical

Wire Insertion Force: 0.5kgf (4.9N) max.
 Wire Retention Force: 0.1kgf (1.0N) min.

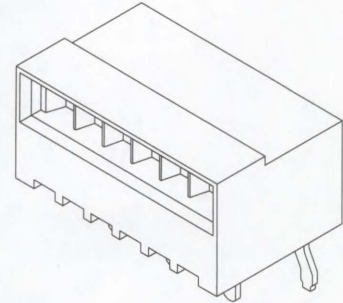
Physical

Housing: Glass-filled PBTP, UL 94V-0
 Contact: Phosphor Bronze
 Plating: Tin
 Operating Temperature: -40 to +105°C

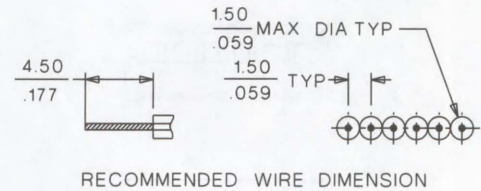
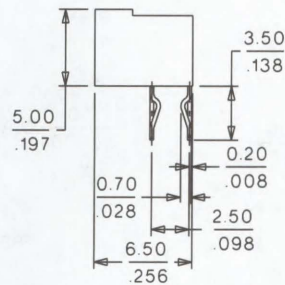
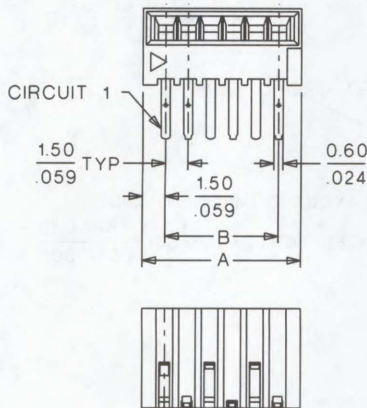
molex® 1.50mm (.059") Pitch Jumper Socket

52273

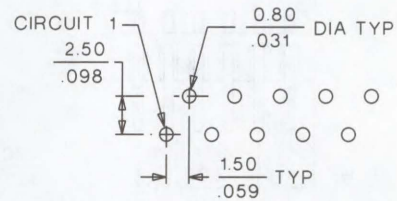
Removable Type Right Angle



CATALOG DRAWING (FOR REFERENCE ONLY)



RECOMMENDED WIRE DIMENSION



PCB LAYOUT: COMPONENT SIDE
 RECOMMENDED PCB THICKNESS: 1.60 / .063

ORDERING INFORMATION AND DIMENSIONS

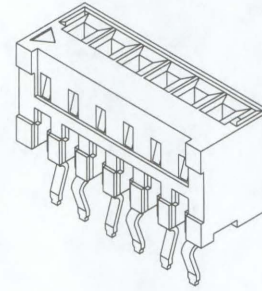
Circuits	Order No.	Dimension	
		A	B
6	52273-0610	10.50 (.413)	7.50 (.295)
7	52273-0710	12.00 (.472)	9.00 (.354)
8	52273-0810	13.50 (.531)	10.50 (.413)
9	52273-0910	15.00 (.591)	12.00 (.472)
10	52273-1010	16.50 (.650)	13.50 (.531)
11	52273-1110	18.00 (.709)	15.00 (.591)
15	52273-1510	24.00 (.945)	21.00 (.826)
18	52273-1810	28.50 (1.122)	25.50 (1.003)
19	52273-1910	30.00 (1.181)	27.00 (1.062)

Note: Outer two circuits on each side are kinked

molex® 2.00mm (.079") Pitch Jumper Socket

52153

Permanent Type Vertical



FEATURES AND SPECIFICATIONS

Features and Benefits

- Sizes 2 to 15 circuits
- For topcoated ribbon cable
- Wire range: 26 AWG
- Insulation diameter: 1.60mm max.
- Strip length: 4.50mm

Reference Information

Packaging: Tray
 UL File No.: E29179
 Designed In: Millimeters

Electrical

Voltage: 150V
 Current: 2.0A
 Contact Resistance: 20mΩ max.
 Dielectric Withstanding Voltage: 500V AC/1 min.
 Insulation Resistance: 1000 MΩ min.

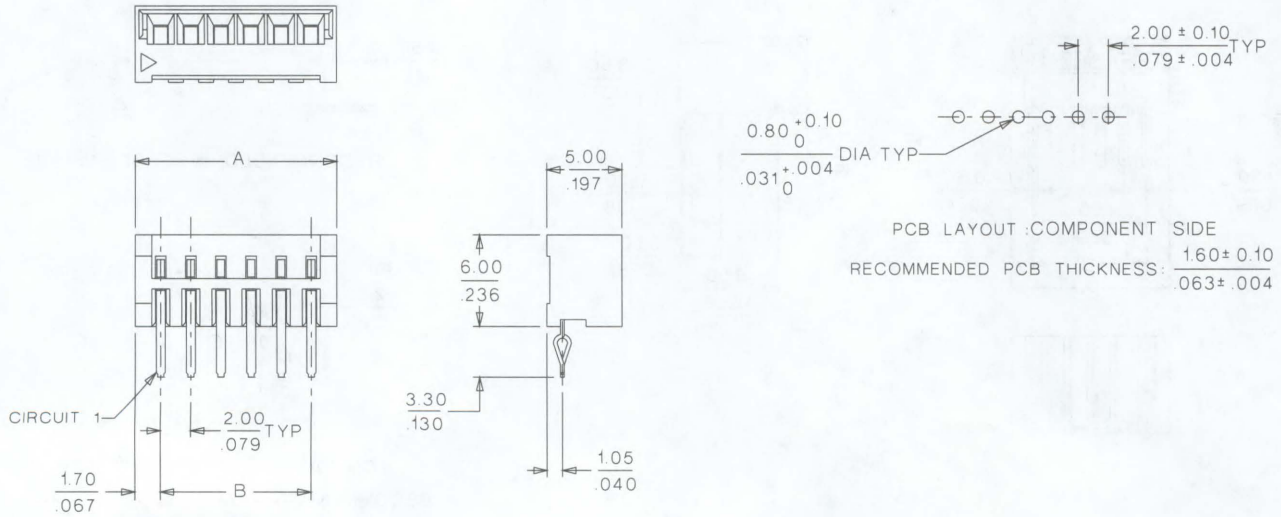
Mechanical

Wire Insertion Force: 0.5kgf max. (4.9N)
 Wire Retention Force: 1.5kgf min. (14.7N)

Physical

Housing: Glass-filled PBTP, UL 94V-0
 Contact: Phosphor Bronze
 Plating: Tin
 Operating Temperature: -40 to +105°C

CATALOG DRAWING (FOR REFERENCE ONLY)



ORDERING INFORMATION AND DIMENSIONS

Circuits	Order No.	Dimension	
		A	B
2	52153-0210	5.40 (.213)	2.00 (.079)
3	52153-0310	7.40 (.291)	4.00 (.157)
4	52153-0410	9.40 (.370)	6.00 (.236)
5	52153-0510	11.40 (.449)	8.00 (.314)
6	52153-0610	13.40 (.528)	10.00 (.393)
7	52153-0710	15.40 (.606)	12.00 (.472)
8	52153-0810	17.40 (.685)	14.00 (.551)
9	52153-0910	19.40 (.764)	16.00 (.629)
10	52153-1010	21.40 (.843)	18.00 (.708)
11	52153-1110	23.40 (.921)	20.00 (.787)
12	52153-1210	25.40 (1.000)	22.00 (.866)
13	52153-1310	27.40 (1.079)	24.00 (.944)
14	52153-1410	29.40 (1.157)	26.00 (1.023)
15	52153-1510	31.40 (1.236)	28.00 (1.102)

Note: For permanent versions, cable cannot be taken out after insertion
 Note: All circuits have kinked PC tails except two-circuit version

FEATURES AND SPECIFICATIONS

Features and Benefits

- Sizes 2 to 15 circuits
- For topcoated ribbon cable
- Wire range: 26 AWG
- Insulation diameter: 1.60mm max.
- Strip length: 4.50mm

Reference Information

Packaging: Tray
 UL File No.: E29179
 Designed In: Millimeters

Electrical

Voltage: 150V
 Current: 2.0A
 Contact Resistance: 20mΩ max.
 Dielectric Withstanding Voltage: 500V AC/1 min.
 Insulation Resistance: 1000 MΩ min.

Mechanical

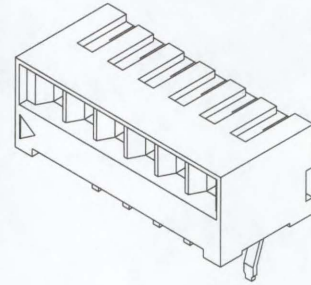
Wire Insertion Force: 0.5kgf max. (4.9N)
 Wire Retention Force: 1.5kgf min. (14.7N)

Physical

Housing: Glass-filled PBTP, UL 94V-0
 Contact: Phosphor Bronze
 Plating: Tin
 Operating Temperature: -40 to +105°C

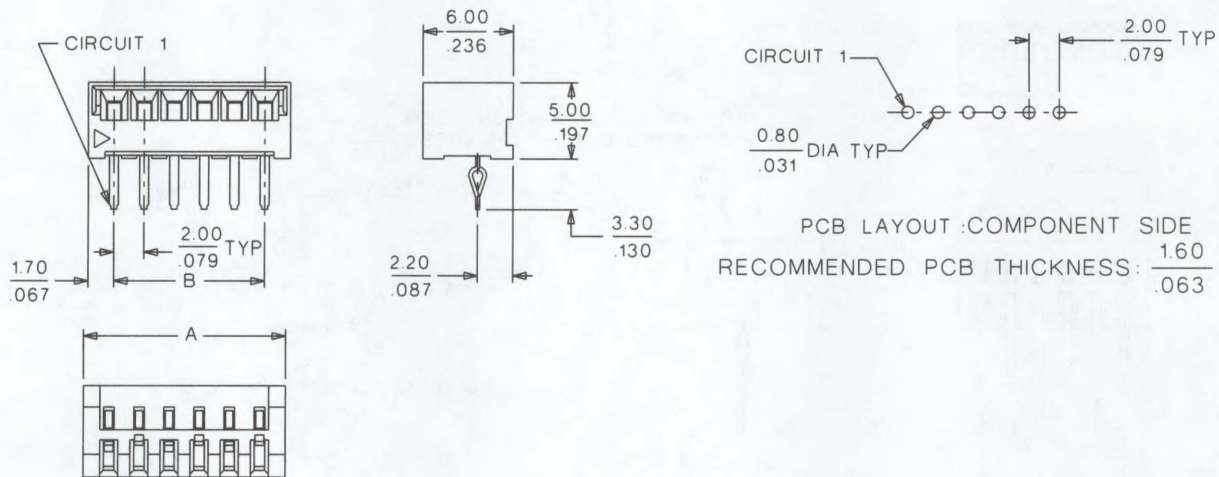
molex® 2.00mm (.079") Pitch Jumper Socket

52154 Permanent Type Right Angle



Wire Traps/Jumpers/Holders

CATALOG DRAWING (FOR REFERENCE ONLY)



ORDERING INFORMATION AND DIMENSIONS

Circuits	Order No.	Dimension	
		A	B
2	52154-0210	5.40 (.213)	2.00 (.079)
3	52154-0310	7.40 (.291)	4.00 (.157)
4	52154-0410	9.40 (.370)	6.00 (.236)
5	52154-0510	11.40 (.449)	8.00 (.314)
6	52154-0610	13.40 (.528)	10.00 (.393)
7	52154-0710	15.40 (.606)	12.00 (.472)
8	52154-0810	17.40 (.685)	14.00 (.551)
9	52154-0910	19.40 (.764)	16.00 (.629)
10	52154-1010	21.40 (.843)	18.00 (.708)
11	52154-1110	23.40 (.921)	20.00 (.787)
12	52154-1210	25.40 (1.000)	22.00 (.866)
13	52154-1310	27.40 (1.079)	24.00 (.944)
14	52154-1410	29.40 (1.157)	26.00 (1.023)
15	52154-1510	31.40 (1.236)	28.00 (1.102)

Note: For permanent version, cable cannot be taken out after insertion
 Note: All circuits have kinked PC tails except two-circuit version

FEATURES AND SPECIFICATIONS

Features and Benefits

- Sizes 2 to 15 circuits
- For 26 AWG topcoated ribbon cable
- Kinked PC tails for secure board retention (except 2-circuit product)
- Insulation Diameter: 1.60mm max.
- Strip Length: 4.50mm

Reference Information

Packaging: Tube
Designed In: Millimeters

Electrical

Voltage: 150V AC
Current: 2.0A max.
Contact Resistance: 20mΩ max.
Dielectric Withstanding Voltage: 500V AC/1 min.
Insulation Resistance: 1000 MΩ min.

Mechanical

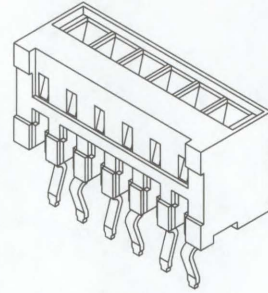
Wire Insertion Force: 4.9N (0.5kgf) max.
Wire Retention Force: 1.0N (0.1kgf) min.

Physical

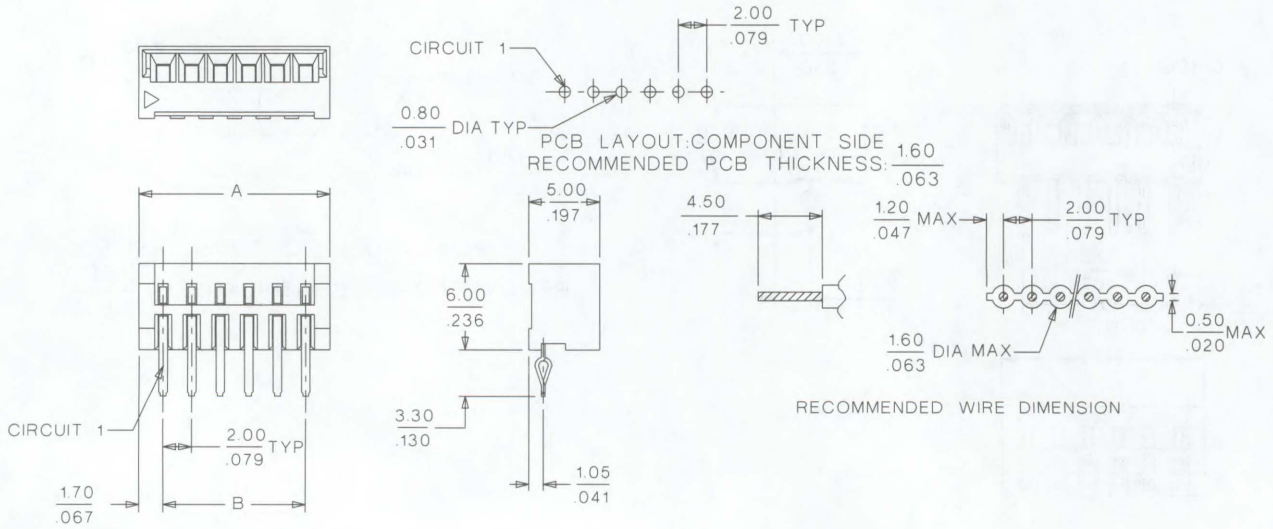
Housing: PBTP, UL 94V-0
Terminal: Phosphor Bronze
Plating: Tin
Operating Temperature: -40 to +105°C

molex® 2.00mm (.079") Pitch Jumper Socket

52287 Removable Type Vertical



CATALOG DRAWING (FOR REFERENCE ONLY)



ORDERING INFORMATION AND DIMENSIONS

Circuits	Order No.	Dimension	
		A	B
2	52287-0211	5.40 (.213)	2.00 (.079)
3	52287-0311	7.40 (.291)	4.00 (.157)
4	52287-0411	9.40 (.370)	6.00 (.236)
5	52287-0511	11.40 (.449)	8.00 (.315)
6	52287-0611	13.40 (.528)	10.00 (.394)
7	52287-0711	15.40 (.606)	12.00 (.472)
8	52287-0811	17.40 (.685)	14.00 (.551)
9	52287-0911	19.40 (.764)	16.00 (.630)
10	52287-1011	21.40 (.843)	18.00 (.709)
11	52287-1111	23.40 (.921)	20.00 (.787)
12	52287-1211	25.40 (1.000)	22.00 (.866)
13	52287-1311	27.40 (1.079)	24.00 (.945)
14	52287-1411	29.40 (1.157)	26.00 (1.024)
15	52287-1511	31.40 (1.236)	28.00 (1.102)

FEATURES AND SPECIFICATIONS

Features and Benefits

- Sizes 2 to 15 circuits
- For 26 AWG topcoated ribbon cable
- Kinked PC tails for secure board retention (except 2-circuit product)
- Insulation Diameter: 1.60mm max.
- Strip Length: 4.50mm

Reference Information

Packaging: Tube
Designed In: Millimeters

Electrical

Voltage: 150V AC
Current: 2.0A max.
Contact Resistance: 20mΩ max.
Dielectric Withstanding Voltage: 500V AC/1 min.
Insulation Resistance: 1000 MΩ min.

Mechanical

Wire Insertion Force: 4.9N (0.5kgf) max.
Wire Retention Force: 1.0N (0.1kgf) min.

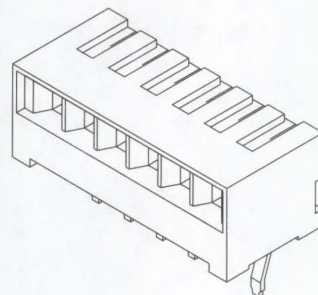
Physical

Housing: PBTP, UL 94V-0
Terminal: Phosphor Bronze
Plating: Tin
Operating Temperature: -40 to +105°C

molex® 2.00mm (.079") Pitch Jumper Socket

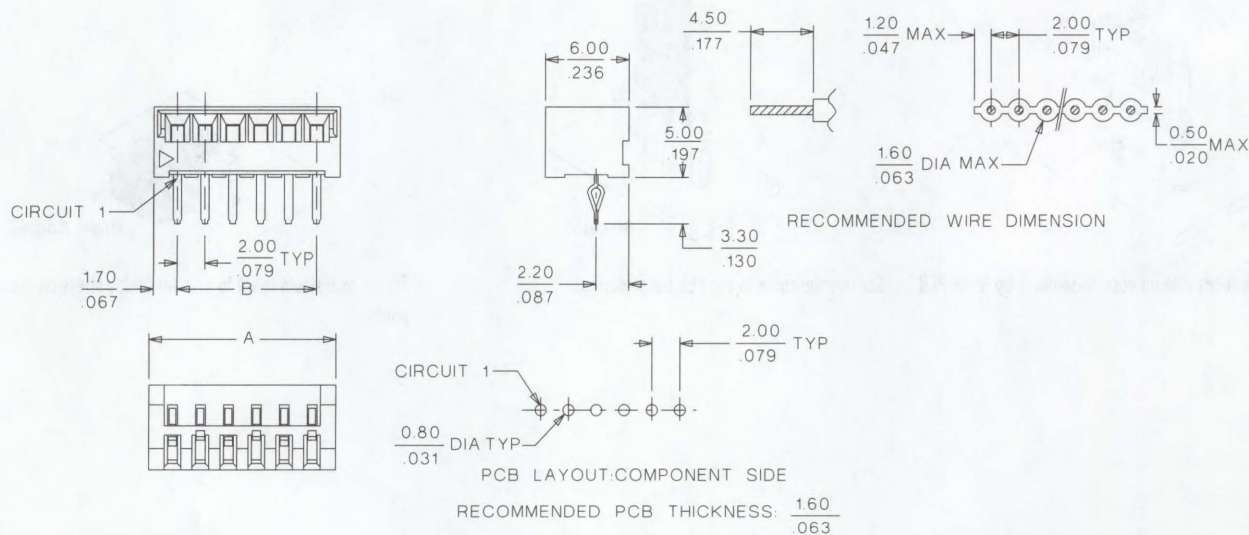
52288

Removable Type Right Angle



Wire Traps/Jumpers/Holders

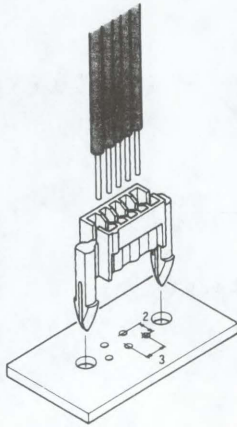
CATALOG DRAWING (FOR REFERENCE ONLY)



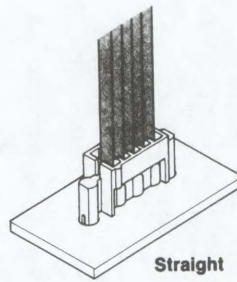
ORDERING INFORMATION AND DIMENSIONS

Circuits	Order No.	Dimension	
		A	B
2	52288-0211	5.40 (.213)	2.00 (.079)
3	52288-0311	7.40 (.291)	4.00 (.157)
4	52288-0411	9.40 (.370)	6.00 (.236)
5	52288-0511	11.40 (.449)	8.00 (.315)
6	52288-0611	13.40 (.528)	10.00 (.394)
7	52288-0711	15.40 (.606)	12.00 (.472)
8	52288-0811	17.40 (.685)	14.00 (.551)
9	52288-0911	19.40 (.764)	16.00 (.630)
10	52288-1011	21.40 (.843)	18.00 (.709)
11	52288-1111	23.40 (.921)	20.00 (.787)
12	52288-1211	25.40 (1.000)	22.00 (.866)
13	52288-1311	27.40 (1.079)	24.00 (.945)
14	52288-1411	29.40 (1.157)	26.00 (1.024)
15	52288-1511	31.40 (1.236)	28.00 (1.102)

Available in straight and right angle versions for 1.25, 1.50, 2.00 and 2.50mm cable, this product serves 3 important functions:

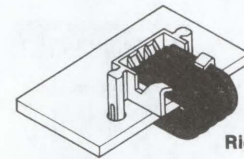


Guides the cable leads into an easy-to-solder 2 by 3mm PCB layout.



Straight

Secures the cable to the PCB for soldering.



Right Angle

Serves as a strain relief to prevent undue stress on the solder joints.

FEATURES AND SPECIFICATIONS

Features and Benefits

- Sizes 3 to 16 circuits
- For topcoated ribbon cable
- Wire range: 28 AWG
- Insulation diameter: 0.95mm max.
- Strip length: 6.0mm

Reference Information

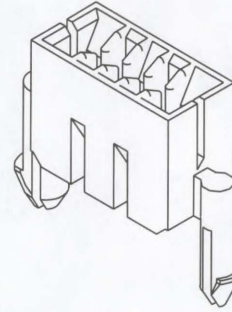
Packaging: Bag
Designed In: Millimeters

Physical

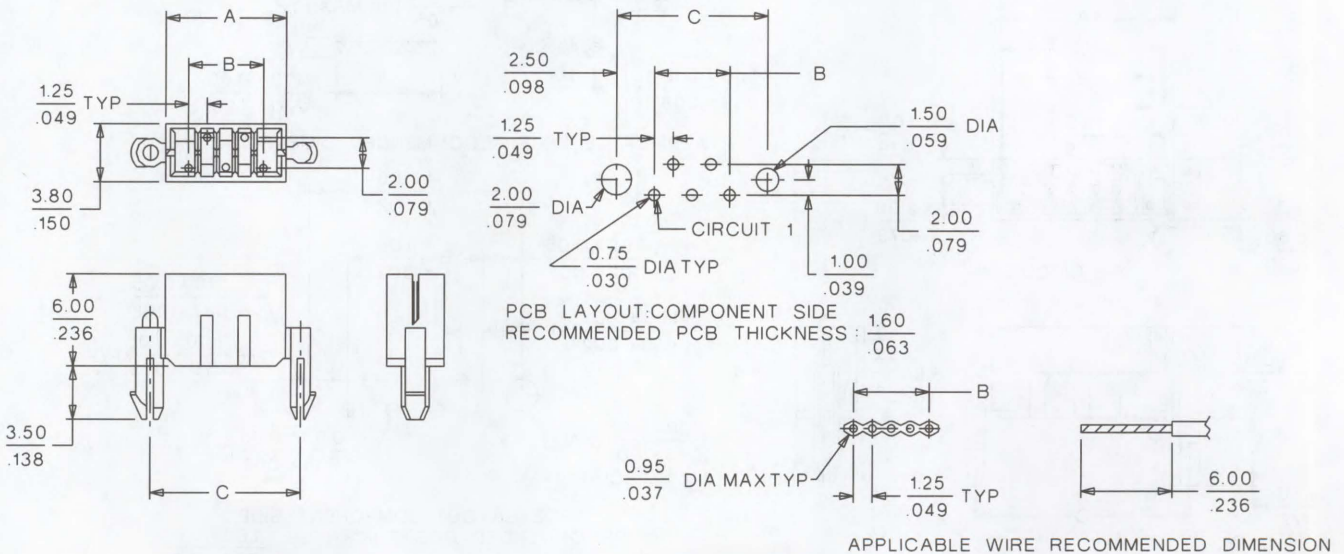
Housing: 6/6 nylon, UL 94V-0
Operating Temperature: -40 to +105°C

molex® 1.25mm (.049") Pitch Cable Holder

51071 Vertical For Ribbon Cable



CATALOG DRAWING (FOR REFERENCE ONLY)



ORDERING INFORMATION AND DIMENSIONS

Circuits	Order No.	Dimension		
		A	B	C
3	51071-0300	5.50 (.216)	2.50 (.098)	7.50 (.295)
4	51071-0400	6.75 (.265)	3.75 (.147)	8.75 (.344)
5	51071-0500	8.00 (.314)	5.00 (.196)	10.00 (.393)
6	51071-0600	9.25 (.364)	6.25 (.246)	11.25 (.442)
7	51071-0700	10.50 (.413)	7.50 (.295)	12.50 (.492)
8	51071-0800	11.75 (.462)	8.75 (.344)	13.75 (.541)
9	51071-0900	13.00 (.511)	10.00 (.393)	15.00 (.590)
10	51071-1000	14.25 (.561)	11.25 (.442)	16.25 (.639)
11	51071-1100	15.50 (.610)	12.50 (.492)	17.50 (.688)
12	51071-1200	16.75 (.659)	13.75 (.541)	18.75 (.738)
13	51071-1300	18.00 (.708)	15.00 (.590)	20.00 (.787)
14	51071-1400	19.25 (.757)	16.25 (.639)	21.25 (.836)
15	51071-1500	20.50 (.807)	17.50 (.688)	22.50 (.885)
16	51071-1600	21.75 (.856)	18.75 (.738)	23.75 (.935)

FEATURES AND SPECIFICATIONS

Features and Benefits

- Sizes 3 to 20 circuits
- For topcoated ribbon cable
- Wire range: 26 AWG
- Insulation diameter: 1.30mm max.
- Strip length: 7.00mm

Reference Information

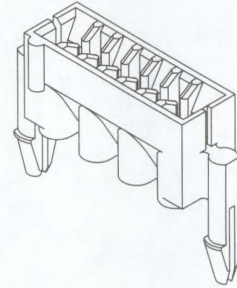
Packaging: Bag
Designed In: Millimeters

Physical

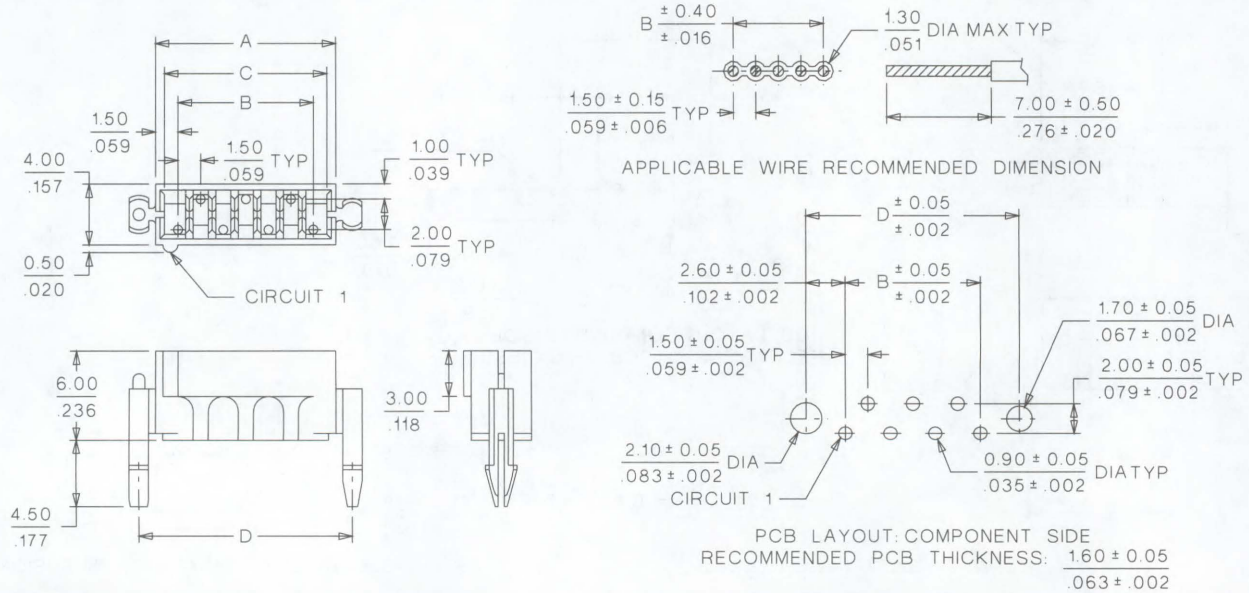
Housing: 6/6 nylon, UL 94V-2
Operating Temperature: -40 to +105°C

**molex® 1.50mm (.059") Pitch
Cable Holder**

**51016
Vertical
For Ribbon Cable**



CATALOG DRAWING (FOR REFERENCE ONLY)



ORDERING INFORMATION AND DIMENSIONS

Circuits	Order No.	Dimension			
		A	B	C	D
3	51016-0300	6.00 (.236)	3.00 (.118)	4.80 (.188)	8.20 (.323)
4	51016-0400	7.50 (.295)	4.50 (.177)	6.30 (.248)	9.70 (.382)
5	51016-0500	9.00 (.354)	6.00 (.236)	7.80 (.307)	11.20 (.441)
6	51016-0600	10.50 (.413)	7.50 (.295)	9.30 (.366)	12.70 (.500)
7	51016-0700	12.00 (.472)	9.00 (.354)	10.80 (.425)	14.20 (.559)
8	51016-0800	13.50 (.531)	10.50 (.413)	12.30 (.484)	15.70 (.618)
9	51016-0900	15.00 (.591)	12.00 (.472)	13.80 (.543)	17.20 (.677)
10	51016-1000	16.50 (.650)	13.50 (.531)	15.30 (.602)	18.70 (.736)
11	51016-1100	18.00 (.709)	15.00 (.590)	16.80 (.661)	20.20 (.795)
12	51016-1200	19.50 (.768)	16.50 (.649)	18.30 (.720)	21.70 (.854)
13	51016-1300	21.00 (.827)	18.00 (.709)	19.80 (.780)	23.20 (.913)
14	51016-1400	22.50 (.886)	19.50 (.768)	21.30 (.839)	24.70 (.972)
15	51016-1500	24.00 (.945)	21.00 (.827)	22.80 (.898)	26.20 (1.031)
16	51016-1600	25.50 (1.004)	22.50 (.886)	24.30 (.957)	27.70 (1.091)
17	51016-1700	27.00 (1.063)	24.00 (.945)	25.80 (1.016)	29.20 (1.150)
19	51016-1900	30.00 (1.181)	27.00 (1.063)	28.80 (1.134)	32.20 (1.268)
20	51016-2000	31.50 (1.240)	28.50 (1.122)	30.30 (1.193)	33.70 (1.327)

FEATURES AND SPECIFICATIONS

Features and Benefits

- Sizes 3 to 15 circuits
- For topcoated ribbon cable
- Wire range: 26 AWG
- Insulation diameter: 1.30mm max.
- Strip length: 7.00mm

Reference Information

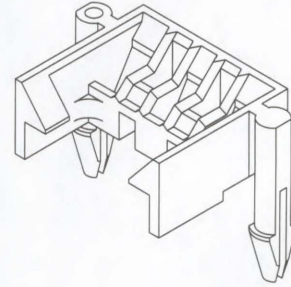
Packaging: Bag
Designed In: Millimeters

Physical

Housing: 6/6 nylon, UL 94V-2
Operating Temperature: -40 to +105°C

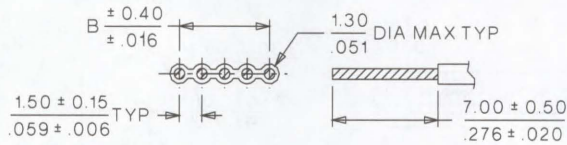
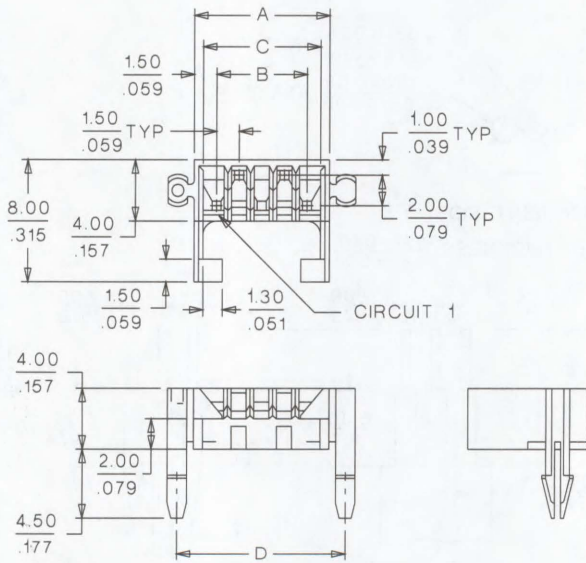
molex® 1.50mm (.059") Pitch Cable Holder

51020 Right Angle For Ribbon Cable

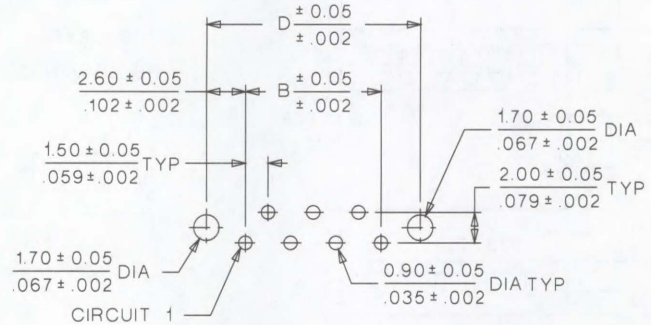


Wire Traps/Jumpers/Holders

CATALOG DRAWING (FOR REFERENCE ONLY)



APPLICABLE WIRE RECOMMENDED DIMENSION



PCB LAYOUT: COMPONENT SIDE
RECOMMENDED PCB THICKNESS: $1.60 \pm 0.05 / .063 \pm .002$

ORDERING INFORMATION AND DIMENSIONS

Circuits	Order No.	Dimension			
		A	B	C	D
3	51020-0300	6.00 (.236)	3.00 (.118)	4.80 (.188)	8.20 (.323)
4	51020-0400	7.50 (.295)	4.50 (.177)	6.30 (.248)	9.70 (.382)
5	51020-0500	9.00 (.354)	6.00 (.236)	7.80 (.307)	11.20 (.441)
6	51020-0600	10.50 (.413)	7.50 (.295)	9.30 (.366)	12.70 (.500)
7	51020-0700	12.00 (.472)	9.00 (.354)	10.80 (.425)	14.20 (.559)
8	51020-0800	13.50 (.531)	10.50 (.413)	12.30 (.484)	15.70 (.618)
9	51020-0900	15.00 (.591)	12.00 (.472)	13.80 (.543)	17.20 (.677)
10	51020-1000	16.50 (.650)	13.50 (.531)	15.30 (.602)	18.70 (.736)
11	51020-1100	18.00 (.709)	15.00 (.590)	16.80 (.661)	20.20 (.795)
12	51020-1200	19.50 (.768)	16.50 (.649)	18.30 (.720)	21.70 (.854)
13	51020-1300	21.00 (.827)	18.00 (.709)	19.80 (.780)	23.20 (.913)
14	51020-1400	22.50 (.886)	19.50 (.768)	21.30 (.839)	24.70 (.972)
15	51020-1500	24.00 (.945)	21.00 (.827)	22.80 (.898)	26.20 (1.031)

FEATURES AND SPECIFICATIONS

Features and Benefits

- Sizes 2 to 15 circuits
- Wire range: 26 to 28 AWG
- Insulation diameter: 1.42mm
- Strip length: 4.00mm

Reference Information

Product Specification: PS-87280
 Packaging: Bag
 CSA File No.: LR19980A
 Designed In: Millimeters

Physical

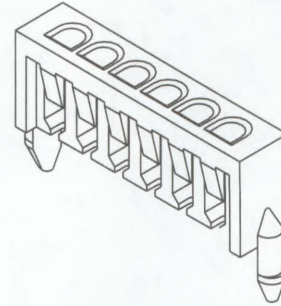
Housing: 6/6 nylon, UL 94V-0
 Operating Temperature: -40 to +105°C



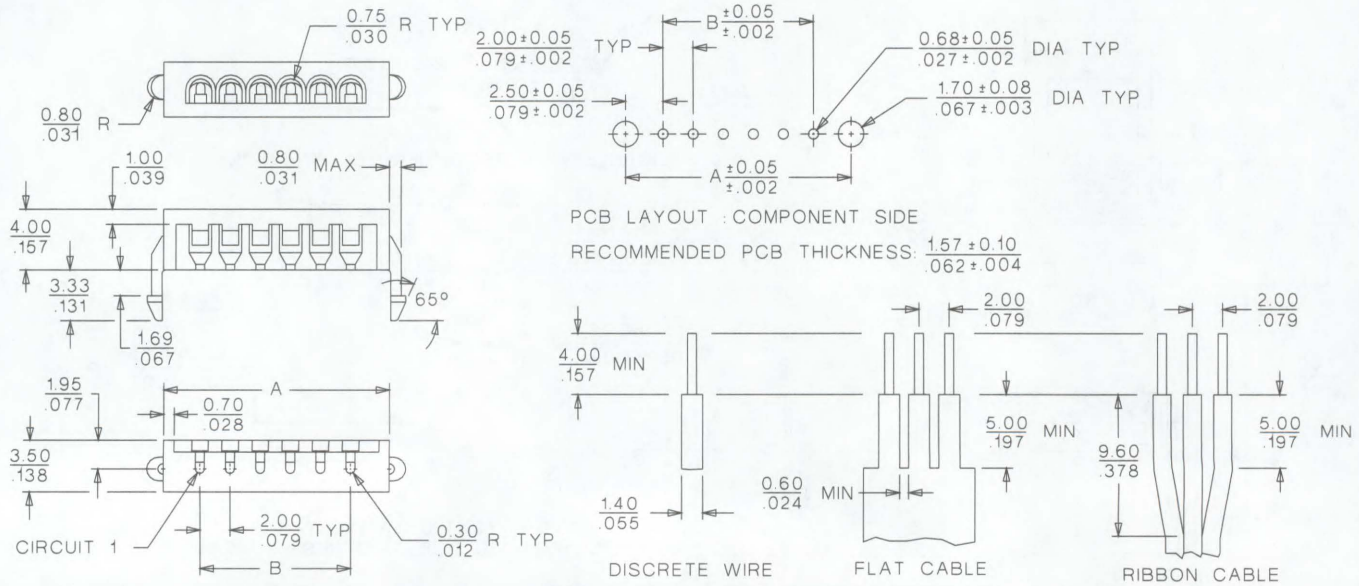
2.00mm (.079") Pitch Cable Holder

87280

For Discrete Wire, Flat Cable and Ribbon Cable



CATALOG DRAWING (FOR REFERENCE ONLY)



ORDERING INFORMATION AND DIMENSIONS

Circuits	Order No.	Dimension	
		A	B
2	87280-0200	7.00 (.276)	2.00 (.079)
3	87280-0300	9.00 (.354)	4.00 (.157)
4	87280-0400	11.00 (.433)	6.00 (.236)
5	87280-0500	13.00 (.512)	8.00 (.315)
6	87280-0600	15.00 (.591)	10.00 (.394)
7	87280-0700	17.00 (.670)	12.00 (.472)
8	87280-0800	19.00 (.748)	14.00 (.551)
9	87280-0900	21.00 (.827)	16.00 (.630)
10	87280-1000	23.00 (.906)	18.00 (.709)
11	87280-1100	25.00 (.984)	20.00 (.787)
12	87280-1200	27.00 (1.063)	22.00 (.866)
13	87280-1300	29.00 (1.142)	24.00 (.945)
14	87280-1400	31.00 (1.220)	26.00 (1.024)
15	87280-1500	33.00 (1.299)	28.00 (1.102)

FEATURES AND SPECIFICATIONS

Features and Benefits

- Sizes 2 to 12 circuits
- For topcoated ribbon cable
- Wire range: 26 AWG
- Insulation diameter: 1.60mm max.
- Strip length: 6.00mm

Reference Information

Packaging: Bag
Designed In: Millimeters

Physical

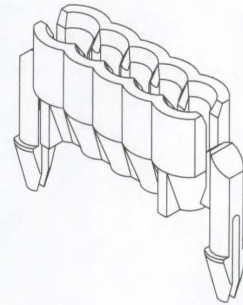
Housing: 6/6 nylon, UL 94V-0
Operating Temperature: -40 to +105°C



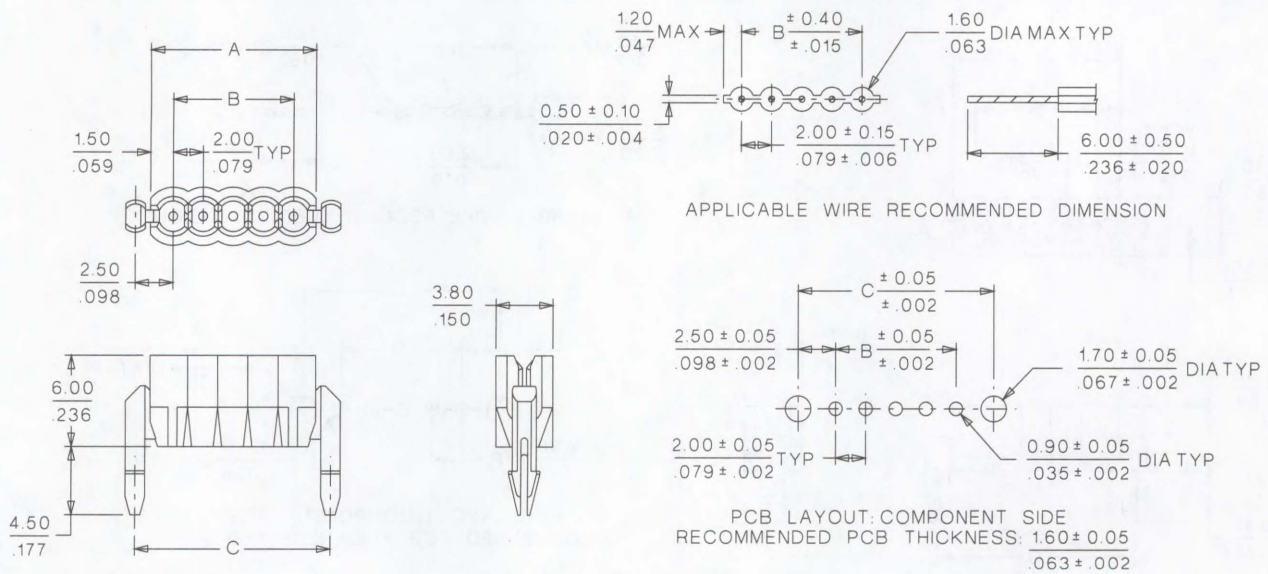
2.00mm (.079") Pitch Cable Holder

51039

Vertical For Ribbon Cable



CATALOG DRAWING (FOR REFERENCE ONLY)



ORDERING INFORMATION AND DIMENSIONS

Circuits	Order No.	Dimension	
		A	B
2	51039-0200	7.00 (.276)	5.00 (.197)
3	51039-0300	9.00 (.354)	7.00 (.276)
4	51039-0400	11.00 (.433)	9.00 (.354)
5	51039-0500	13.00 (.512)	11.00 (.433)
6	51039-0600	15.00 (.590)	13.00 (.512)
7	51039-0700	17.00 (.670)	15.00 (.591)
8	51039-0800	19.00 (.748)	17.00 (.670)
9	51039-0900	21.00 (.827)	19.00 (.748)
10	51039-1000	23.00 (.906)	21.00 (.827)
11	51039-1100	25.00 (.984)	23.00 (.906)
12	51039-1200	27.00 (1.063)	25.00 (.984)

FEATURES AND SPECIFICATIONS

Features and Benefits

- Sizes 2 to 17 circuits
- For topcoated ribbon cable
- Wire range: 26 AWG
- Insulation diameter: 1.60mm (.063") max.
- Strip length: 4.50mm (.177")

Reference Information

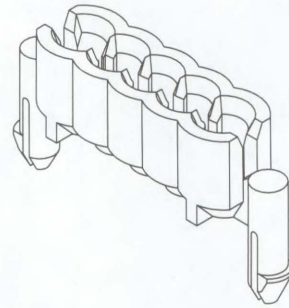
Packaging: Bag
Designed In: Millimeters

Physical

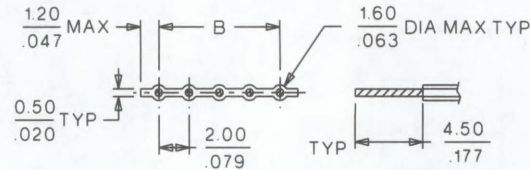
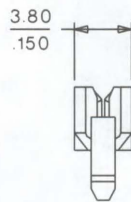
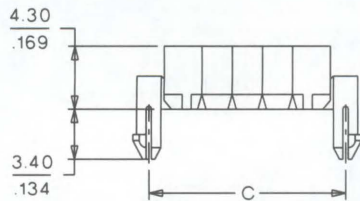
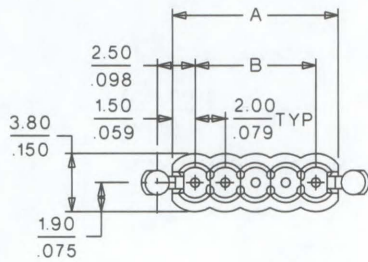
Housing: 6/6 nylon, UL 94V-0 and UL 94V-2
Operating Temperature: -40 to +105°C

molex® 2.00mm (.079") Pitch Cable Holder

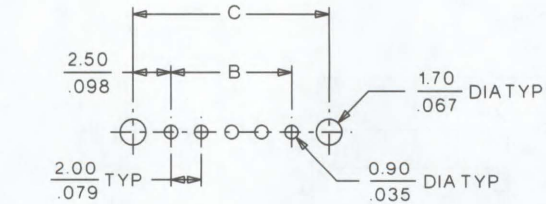
**51048
Vertical, Low Profile
For Ribbon Cable**



CATALOG DRAWING (FOR REFERENCE ONLY)



APPLICABLE WIRE RECOMMENDED DIMENSION



PCB LAYOUT: COMPONENT SIDE
RECOMMENDED PCB THICKNESS: 1.60 / .063

ORDERING INFORMATION AND DIMENSIONS

Circuits	Order No.		Dimension		
	UL 94V-0	UL 94V-2	A	B	C
2	51048-0210	51048-0200	5.00 (.197)	2.00 (.079)	7.00 (.276)
3	51048-0310	51048-0300	7.00 (.276)	4.00 (.157)	9.00 (.354)
4	51048-0410	51048-0400	9.00 (.354)	6.00 (.236)	11.00 (.433)
5	51048-0510	51048-0500	11.00 (.433)	8.00 (.314)	13.00 (.512)
6	51048-0610	51048-0600	13.00 (.512)	10.00 (.393)	15.00 (.591)
7	51048-0710	51048-0700	15.00 (.591)	12.00 (.472)	17.00 (.670)
8	51048-0810	51048-0800	17.00 (.670)	14.00 (.551)	19.00 (.748)
9	51048-0910	51048-0900	19.00 (.748)	16.00 (.629)	21.00 (.827)
10	51048-1010	51048-1000	21.00 (.827)	18.00 (.708)	23.00 (.906)
11	51048-1110	51048-1100	23.00 (.906)	20.00 (.787)	25.00 (.984)
12	51048-1210	51048-1200	25.00 (.984)	22.00 (.866)	27.00 (1.063)
13	51048-1310	51048-1300	27.00 (1.063)	24.00 (.944)	29.00 (1.141)
14	51048-1410	51048-1400	29.00 (1.142)	26.00 (1.023)	31.00 (1.220)
15	51048-1510	51048-1500	31.00 (1.220)	28.00 (1.102)	33.00 (1.299)
16	51048-1610	51048-1600	33.00 (1.299)	30.00 (1.181)	35.00 (1.378)
17		51048-1700	35.00 (1.378)	32.00 (1.260)	37.00 (1.457)

FEATURES AND SPECIFICATIONS

Features and Benefits

- Sizes 4 to 21 circuits
- For topcoated or solid wire ribbon cable
- Wire range: 26 AWG
- Insulation diameter: 1.20mm max.
- Strip length: 6.00mm
- Polarized for correct insertion to PCB, optional polarization for cable leading (pin 1 to pin 1)

Reference Information

Product Specification: 30453-0000
 Packaging: Bag
 UL File No.: E29179
 CSA File No.: LR19980
 Designed In: Millimeters

Electrical

Voltage: 250V
 Current: 2.5A

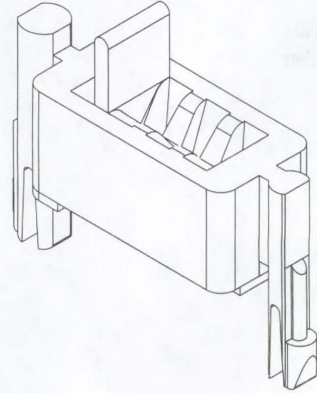
Physical

Housing: Glass-filled polyester, UL 94V-0
 Operating Temperature: -40 to +85°C

molex® 2.00mm (.079") Pitch Cable Holder

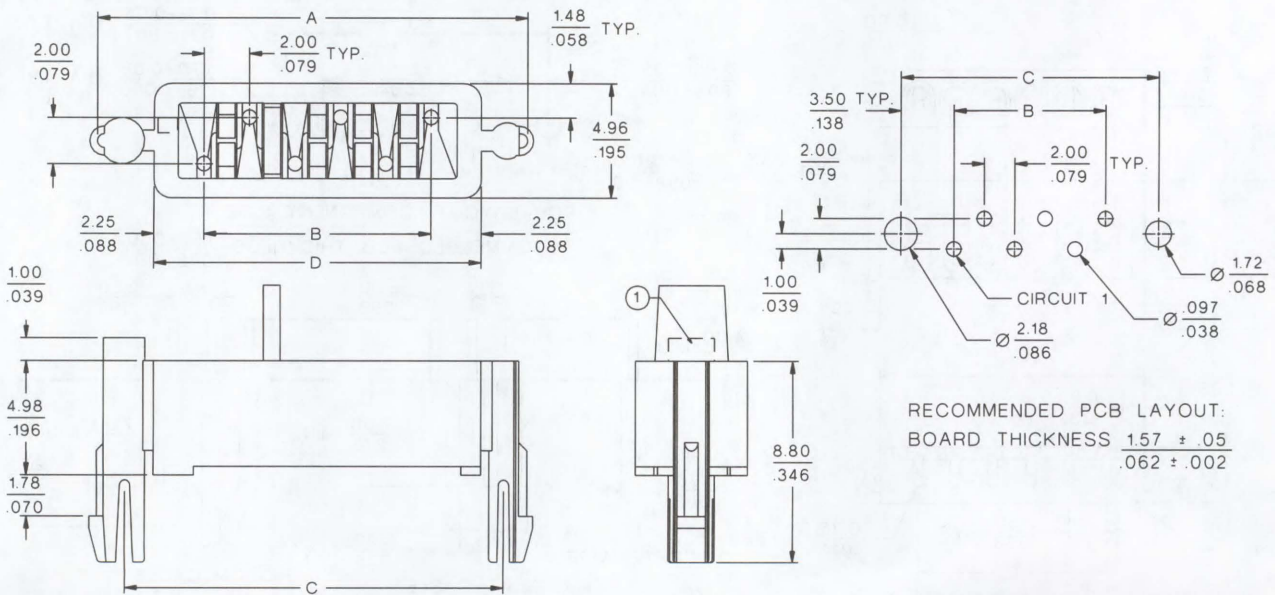
30453

Vertical For Ribbon Cable



Wire Traps/Jumpers/ Holders

CATALOG DRAWING (FOR REFERENCE ONLY)



ORDERING INFORMATION AND DIMENSIONS

Circuits	Order No.	Dimension			
		A	B	C	D
4	30453-0400	14.90 (.580)	6.00 (.236)	13.00 (.512)	10.50 (.413)
5	30453-0500	16.90 (.660)	8.00 (.315)	15.00 (.591)	12.50 (.492)
6	30453-0600	18.90 (.740)	10.00 (.394)	17.00 (.669)	14.50 (.571)
7	30453-0700	20.90 (.820)	12.00 (.472)	19.00 (.748)	16.50 (.650)
8	30453-0800	22.90 (.900)	14.00 (.551)	21.00 (.827)	18.50 (.728)
9	30453-0900	24.90 (.980)	16.00 (.630)	23.00 (.906)	20.50 (.807)
10	30453-1000	26.90 (1.050)	18.00 (.709)	25.00 (.984)	22.50 (.886)
11	30453-1100	28.90 (1.130)	20.00 (.787)	27.00 (1.063)	24.50 (.965)
12	30453-1200	30.90 (1.210)	22.00 (.866)	29.00 (1.142)	26.50 (1.043)
13	30453-1300	32.90 (1.290)	24.00 (.945)	31.00 (1.220)	28.50 (1.122)
14	30453-1400	34.90 (1.370)	26.00 (1.024)	33.00 (1.299)	30.50 (1.201)
15	30453-1500	36.90 (1.450)	28.00 (1.102)	35.00 (1.378)	32.50 (1.280)
16	30453-1600	38.90 (1.530)	30.00 (1.181)	37.00 (1.457)	34.50 (1.358)
17	30453-1700	40.90 (1.610)	32.00 (1.260)	39.00 (1.535)	36.50 (1.437)
18	30453-1800	42.90 (1.680)	34.00 (1.339)	41.00 (1.614)	38.50 (1.516)
19	30453-1900	44.90 (1.760)	36.00 (1.417)	43.00 (1.693)	40.50 (1.594)
20	30453-2000	46.90 (1.840)	38.00 (1.496)	45.00 (1.772)	42.50 (1.673)
21	30453-2100	48.90 (1.920)	40.00 (1.575)	47.00 (1.850)	44.50 (1.752)

FEATURES AND SPECIFICATIONS

Features and Benefits

- Sizes 2 to 20 circuits
- Wire range: 24 to 26 AWG
- Insulation diameter: 1.20 to 1.60mm
- Strip length: 4.00mm

Reference Information

Product Specification: PS-87130
 Packaging: Bag
 CSA File No.: LR19980
 Designed In: Millimeters

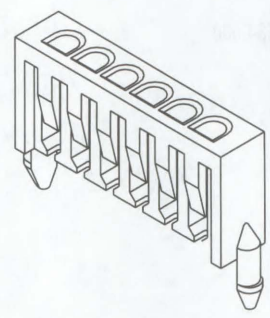
Physical

Housing: 6/6 nylon, UL 94V-0
 Operating Temperature: -40 to +105°C

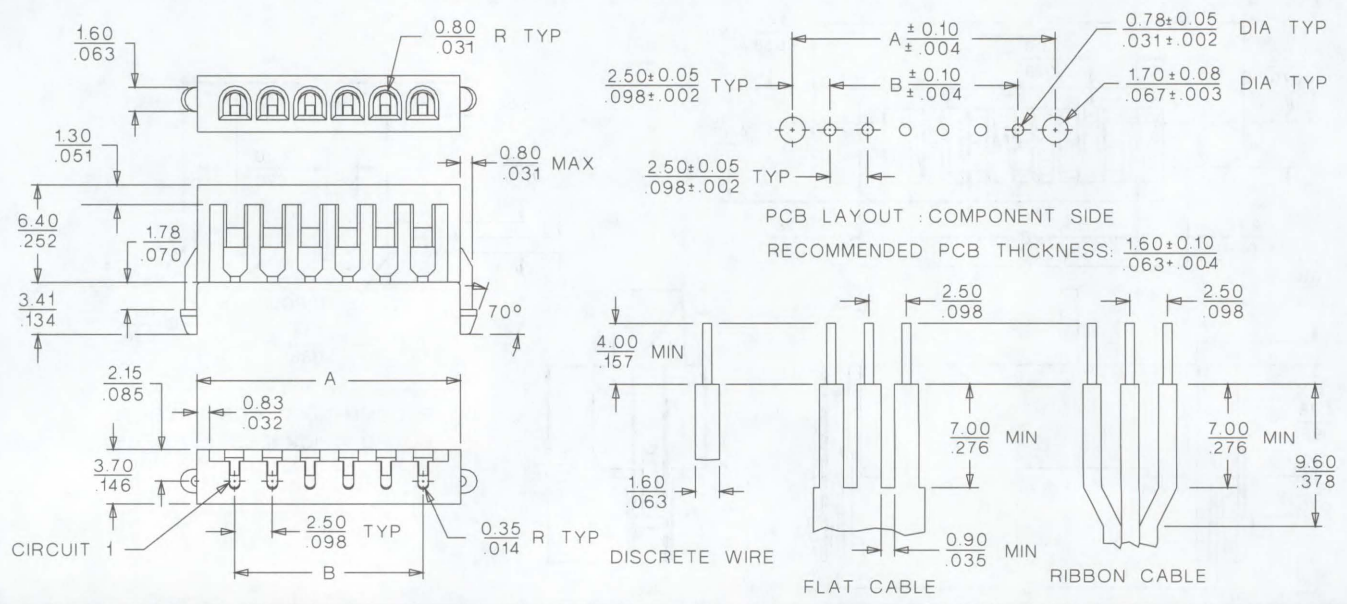
molex® 2.50mm (.098") Pitch Cable Holder

87130

For Discrete Wire, Flat Cable and Ribbon Cable



CATALOG DRAWING (FOR REFERENCE ONLY)



ORDERING INFORMATION AND DIMENSIONS

Circuits	Order No.	Dimension	
		A	B
2	87130-0200	7.50 (.295)	2.50 (.098)
3	87130-0300	10.00 (.394)	5.00 (.197)
4	87130-0400	12.50 (.492)	7.50 (.295)
5	87130-0500	15.00 (.591)	10.00 (.394)
6	87130-0600	17.50 (.689)	12.50 (.492)
7	87130-0700	20.00 (.787)	15.00 (.591)
8	87130-0800	22.50 (.886)	17.50 (.689)
9	87130-0900	25.00 (.984)	20.00 (.787)
10	87130-1000	27.50 (1.083)	22.50 (.886)
11	87130-1100	30.00 (1.181)	25.00 (.984)

Circuits	Order No.	Dimension	
		A	B
12	87130-1200	32.50 (1.280)	27.50 (1.083)
13	87130-1300	35.00 (1.378)	30.00 (1.181)
14	87130-1400	37.50 (1.476)	32.50 (1.280)
15	87130-1500	40.00 (1.575)	35.00 (1.378)
16	87130-1600	42.50 (1.673)	37.50 (1.476)
17	87130-1700	45.00 (1.772)	40.00 (1.575)
18	87130-1800	47.50 (1.870)	42.50 (1.673)
19	87130-1900	50.00 (1.969)	45.00 (1.772)
20	87130-2000	52.50 (2.067)	47.50 (1.870)

FEATURES AND SPECIFICATIONS

Features and Benefits

- Sizes 2 to 16 circuits
- For topcoated ribbon cable
- Wire range: 24 to 26 AWG
- Insulation diameter: 1.70mm max.
- Strip length: 6.00mm

Reference Information

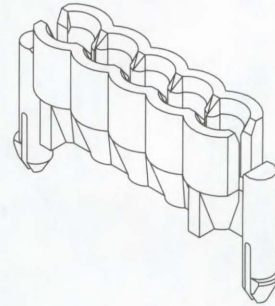
Packaging: Bag
Designed In: Millimeters

Physical

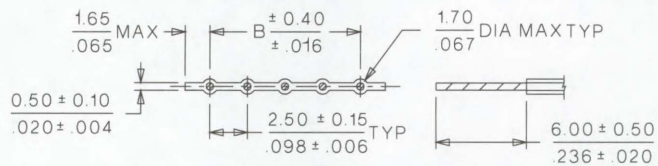
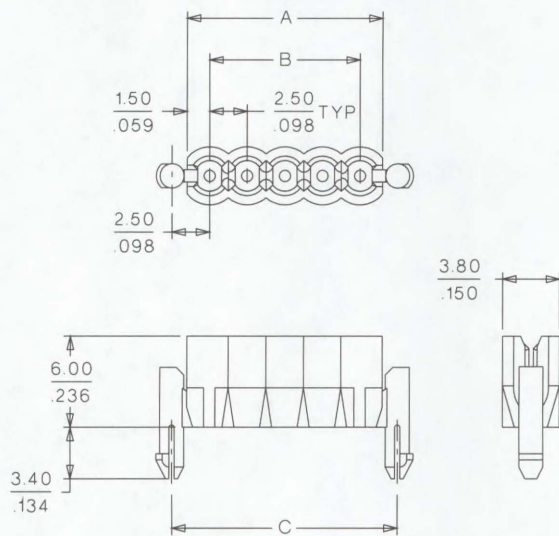
Housing: 6/6 nylon, UL 94V-2
Operating Temperature: -40 to +105°C

molex® 2.50mm (.098") Pitch Cable Holder

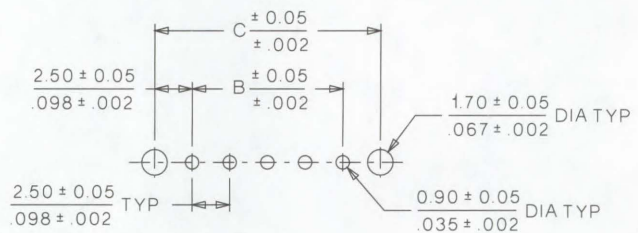
51052 Vertical For Ribbon Cable



CATALOG DRAWING (FOR REFERENCE ONLY)



APPLICABLE WIRE RECOMMENDED DIMENSION



PCB LAYOUT: COMPONENT SIDE
RECOMMENDED PCB THICKNESS: 1.60 ± 0.05 / .063 ± .002

ORDERING INFORMATION AND DIMENSIONS

Circuits	Order No.	Dimension		
		A	B	C
2	51052-0200	5.50 (.217)	2.50 (.098)	7.50 (.295)
3	51052-0300	8.00 (.315)	5.00 (.196)	10.00 (.394)
4	51052-0400	10.50 (.413)	7.50 (.295)	12.50 (.492)
5	51052-0500	13.50 (.531)	10.00 (.393)	15.00 (.590)
6	51052-0600	15.50 (.610)	12.50 (.492)	17.50 (.689)
7	51052-0700	18.00 (.709)	15.00 (.590)	20.00 (.787)
8	51052-0800	20.50 (.807)	17.50 (.688)	22.50 (.886)
9	51052-0900	23.00 (.906)	20.00 (.787)	25.00 (.984)
10	51052-1000	25.50 (1.004)	22.50 (.885)	27.50 (1.083)
11	51052-1100	28.00 (1.102)	25.00 (.984)	30.00 (1.181)
12	51052-1200	30.50 (1.201)	27.50 (1.082)	32.50 (1.280)
13	51052-1300	33.00 (1.799)	30.00 (1.181)	35.00 (1.378)
14	51052-1400	35.50 (1.398)	32.50 (1.280)	37.50 (1.476)
15	51052-1500	38.00 (1.496)	35.00 (1.378)	40.00 (1.575)
16	51052-1600	40.50 (1.594)	37.50 (1.476)	42.50 (1.673)

