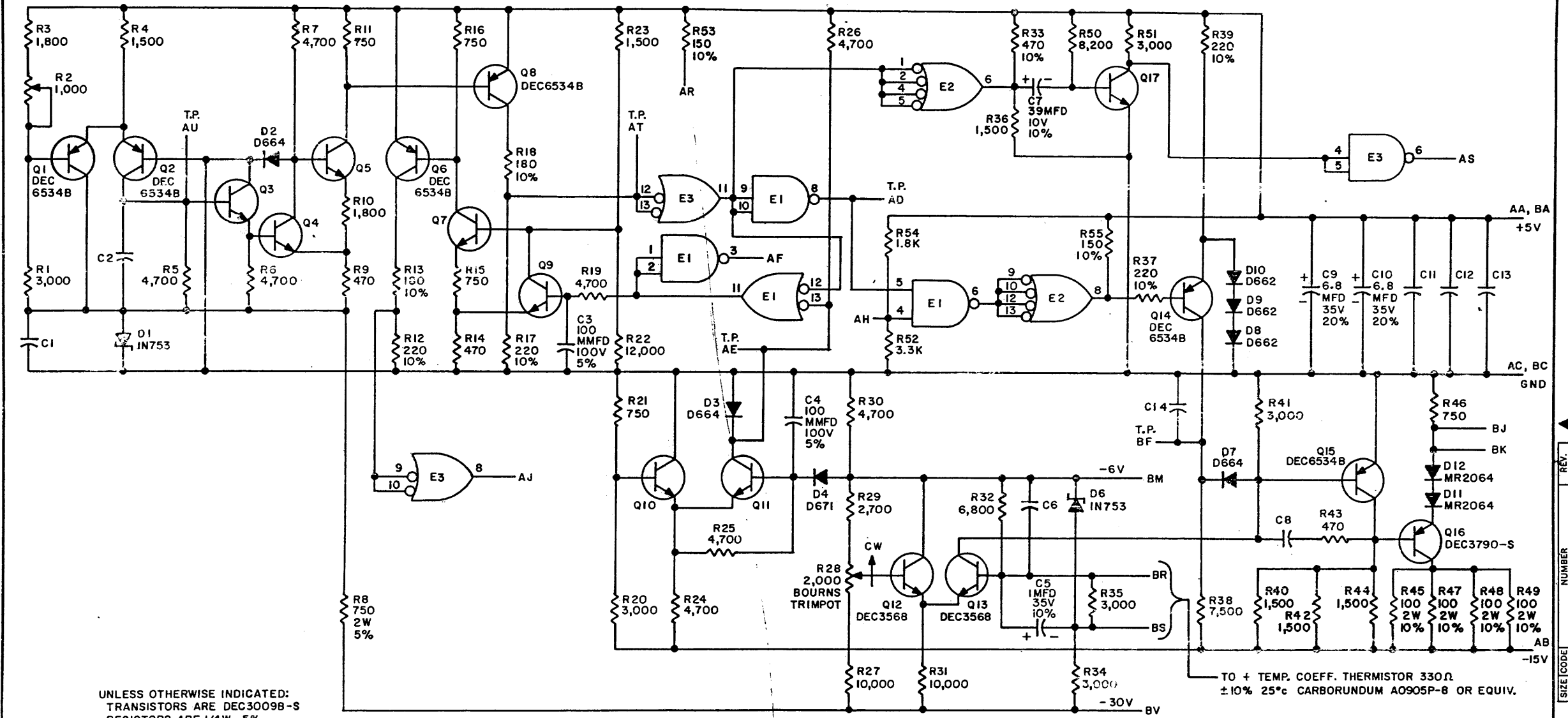


THIS SCHEMATIC IS FURNISHED ONLY FOR TEST AND MAINTENANCE PURPOSES. THE CIRCUITS ARE PROPRIETARY IN NATURE AND SHOULD BE TREATED ACCORDINGLY. COPYRIGHT 1967 BY DIGITAL EQUIPMENT CORPORATION



UNLESS OTHERWISE INDICATED:  
 TRANSISTORS ARE DEC3009B-S  
 RESISTORS ARE 1/4W, 5%  
 CAPACITORS ARE .01 MFD  
 E1 & E3 ARE DEC7400N  
 E2 IS DEC7400N  
 PIN 7 ON EACH IC = GND  
 PIN 14 ON EACH IC = +5V

PARTS LIST A-PL-G826-0-0

<b>REVISIONS</b> CHK'D NO. REV. DATE 1 1 1967 E 2 1 1967 F 3 1 1967 G 4 1 1967 H 5 1 1967 I 6 1 1967 J 7 1 1967 K 8 1 1967 L		DRN. <i>M. Waller</i> DATE 5-10-67 CHK'D <i>[Signature]</i> DATE 5/23/67 ENG. <i>[Signature]</i> DATE 5/25/67 PROD. <i>[Signature]</i> DATE		<b>TRANSISTOR &amp; DIODE CONVERSION CHART</b> DEC EIA DEC EIA DEC3009B 2N3009 D664 IN3606 DEC3568 2N3568 D671 IN3653 DEC6534B MPS6534 IN753 SAME DEC3790 2N3790 MR2064 IN4001 D662 IN645				<b>digital</b> EQUIPMENT CORPORATION MAYNARD, MASSACHUSETTS		TITLE <b>REGULATOR CONTROL G826</b> SIZE CODE NUMBER REV. C CS G826-0-1 L	
DEC FORM NO. 107		PRINTED CIRCUIT REV. <b>K</b>		DIST. 1324/93/19331				P. 111			

REV. L  
 NUMBER  
 CS G826-0-1  
 C