

REVISIONS			
LTR	DESCRIPTION	DATE	APPROVED
A	ECO-0196 RELEASE	11-8-79	
B	ECO-0221 INCORPORATED	7-31-80	DL
B	ECO-0221B INCORPORATED		

4

INTERCONNECTIONS

F1 OV	2 OV
2 DB15 H	40 -5V
3 DB14 H	41 UPF H
4 DB13 H	42 ESYNC L
5 DB12 H	43 SEL L
6 DB11 H	44 DPF H
7 DB10 H	45 AC10 H
8 DB09 H	46 DIAGM H
9 DB08 H	47 DTCK H
10 OV	48 OV
11 DB07 H	49 DMR H
12 DB06 H	50 SEND H
13 DB05 H	51 ZECC H
14 DB04 H	52 DTICK H
15 DB03 H	53 WRT H
16 DB02 H	54 A00 H
17 DB01 H	55 MSTR H
18 DB00 H	56 PE H
19 IVECT L	57 EXTRSTIC H
20 OV	58 OV
21 CMR H	59 PDI L
22 SPOA H	60 BD2 L
23 DOUT H	61 CKDC L
24 IMSTR L	62 BD3 L
25 CLR L	63 CKUC L
26 UPROE L	64 BD7 L
27 P37 H	65 BD6 L
28 BS7 L	66 PORT1 H
29 OV	67 OV
30 BS3 L	68 INDEX H
31 BS4 L	69 BD4 L
32	70 SECTOR H
33 BS6 L	71 CKC1 L
34 BS2 L	72 P21 H
35 BS1 L	73 P20 H
36	74 P22 H
37 INT H	75 P23 H
38 OV	76 OV

J1

1 OV
2 SERVO CLOCK 0 -
3 READ DATA 0 -
4 OV
5 READ CLOCK 0 -
6 WRITE CLOCK 0 -
7 OV
8 WRITE DATA 0 -
9 SELECTED 0 +
10 SEEK ENDO -
11 OV
12 INDEX 0 -
13 SECTOR 0 -
14 SERVO CLOCK +
15 OV
16 READ DATA +
17 READ CLOCK +
18 OV
19 WRITE CLOCK +
20 WRITE DATA -
21 OV
22 SELECTED 0 -
23 SEEK ENDO +
24 INDEX 0 +
25 OV
26 SECTOR +

J2

1 OV
2 SERVO CLOCK 1 -
3 READ DATA 1 -
4 OV
5 READ CLOCK 1 -
6 WRITE CLOCK 1 -
7 OV
8 WRITE DATA 1 -
9 SELECTED 1 +
10 SEEK ENDO 1 -
11 OV
12 INDEX 1 -
13 SECTOR 1 -
14 SERVO CLOCK 1 +
15 OV
16 READ DATA 1 +
17 READ CLOCK 1 +
18 OV
19 WRITE CLOCK 1 +
20 WRITE DATA 1 -
21 OV
22 SELECTED 1 -
23 SEEK ENDO 1 +
24 INDEX 1 +
25 OV
26 SECTOR 1 +

I A 2

B1RQ6 L	A	+5V
B1RQ7 L	B	
BAD16 L	C	OV
BAD17 L	D	
	E	B0OUT L
	F	B0PLY L
	H	B0IA L
OV	J	B5SYNC L
	K	BW1B7 L
	L	B1RQ
OV	M	B1AK1 L
BDMR L	N	B1AK0 L
	P	BB57 L
	R	BDMG1 L
	S	BDMG0 L
OV	T	B1N17 L
	U	BDA100 L
	V	BDA101 L

I B 2

BDCOK H	A	+5V
BPOK H	B	
	C	OV
	D	
	E	BDA102 L
	F	BDA103 L
OV	H	BDA104 L
	J	BDA105 L
	K	BDA106 L
	L	BDA107 L
OV	M	BDA108 L
BSACK L	N	BDA109 L
B1RQ5 L	P	BDA110 L
	R	BDA111 L
OV	S	BDA112 L
	T	BDA113 L
	U	BDA114 L
	V	BDA115 L

I C 2

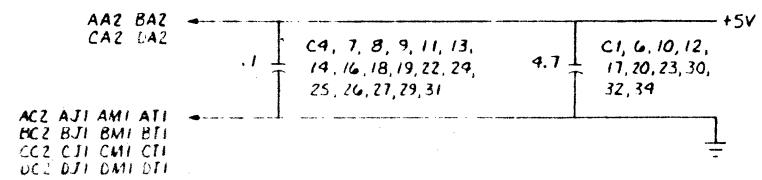
	A	+5V
	B	
	C	OV
	D	
	E	
	F	
OV	H	
	J	
OV	K	
	L	
	M	
	N	
	P	
OV	R	
	S	
	T	
	U	
	V	

I D 2

	A	+5V
	B	
	C	OV
	D	+12V
	E	
	F	
OV	H	
	J	
OV	K	
	L	
	M	
	N	
	P	
OV	R	
	S	
	T	
	U	
	V	

REFERENCE DESIGNATION	GATES USED PER TOTAL	PART NO.
U5	3/4	74508
U12	5/6	74504
U45	4/6	74504
U56	5/6	74504
U93	3/4	8641
U94	2/4	8641

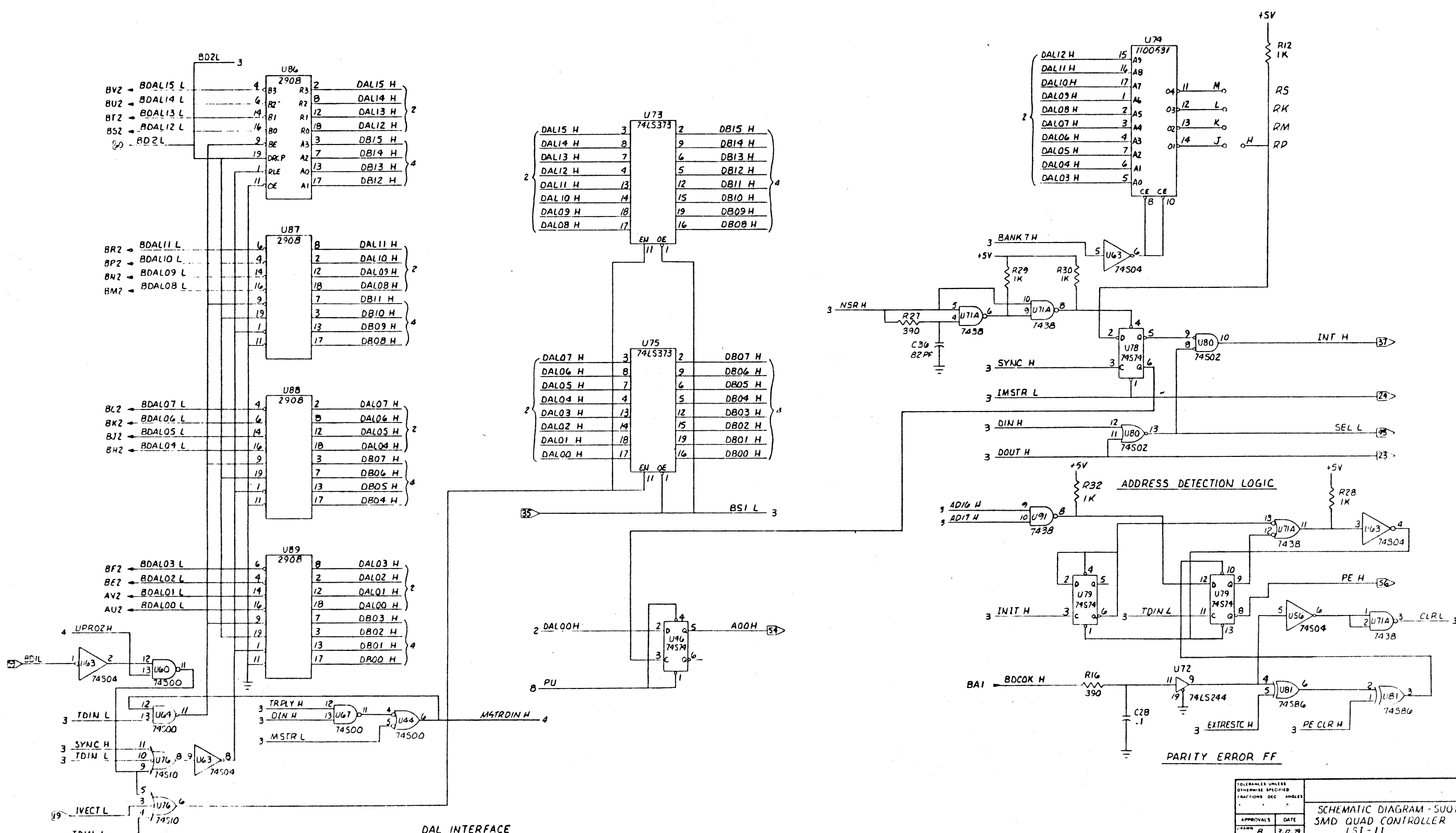
LAST DESIGNATION USED	
INTEGRATED CIRCUIT	U94
DELAY LINE	DLZ
LIGHT LIMITING DIODE	LED4
RESISTOR MODULE	RM12
CAPACITOR	C36
FUSE	F1
RESISTOR	R32
VOLTAGE REGULATOR	VRI



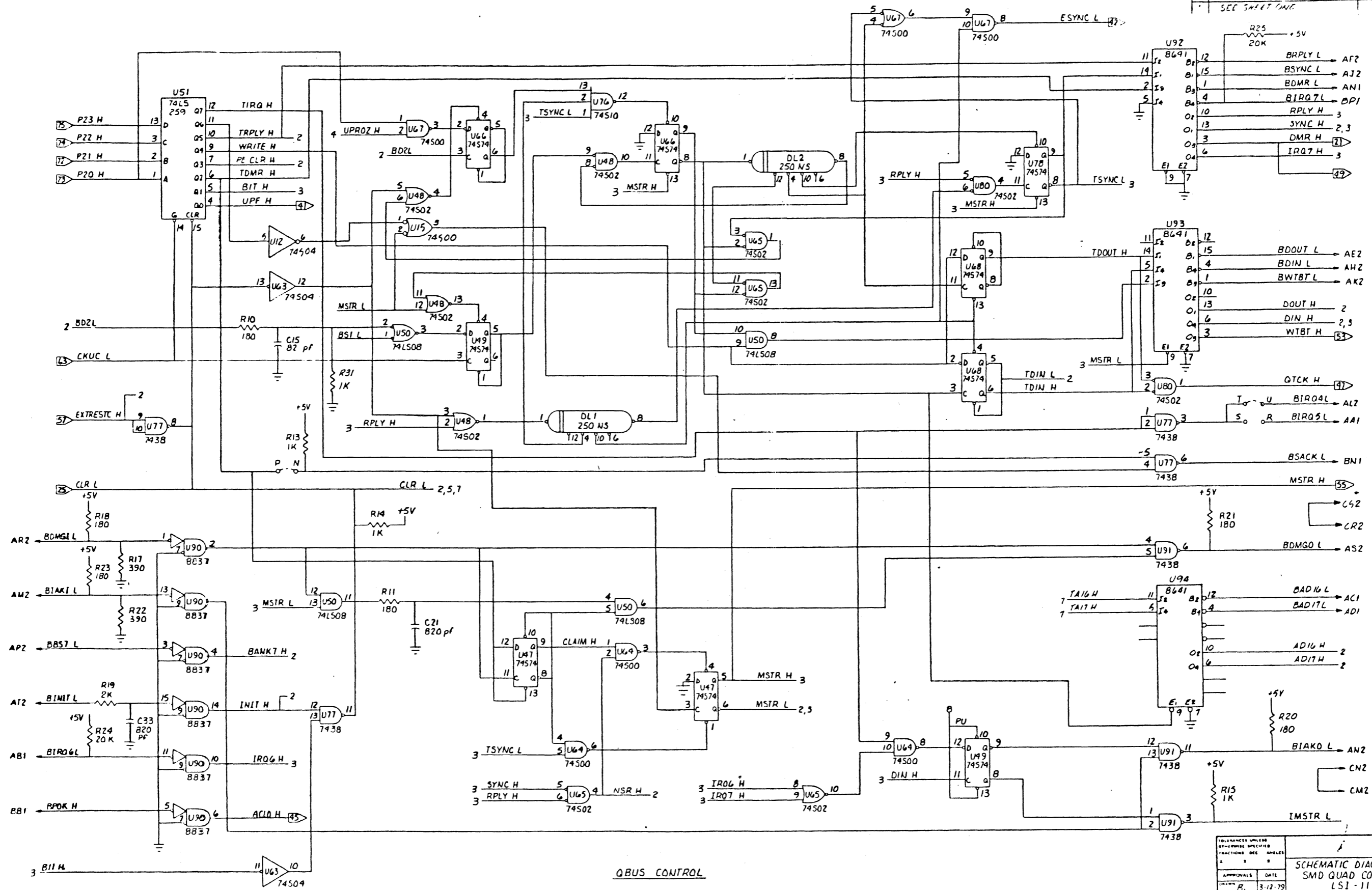
- NOTES: UNLESS OTHERWISE SPECIFIED
- CAPACITANCE TOLERANCES AND VOLTAGES ARE AS FOLLOWS: PICOFARADS - 15%, 100V; 4.7 MICROFARADS - 120% 10V; 15 MICROFARADS - 120% 20V.
 - CAPACITANCE VALUES ARE IN MICROFARADS
 - RESISTANCE VALUES ARE IN OHMS, 15%, 1/4W.
- 4 □ DENOTES INTERCONNECT PINS.

TOLERANCES UNLESS OTHERWISE SPECIFIED	
FRACTIONS	DEC ANGLES
APPROVALS	DATE
B	3-12-79

SCHEMATIC DIAGRAM - 5101
SMD QUAD CONTROLLER
LSI-11



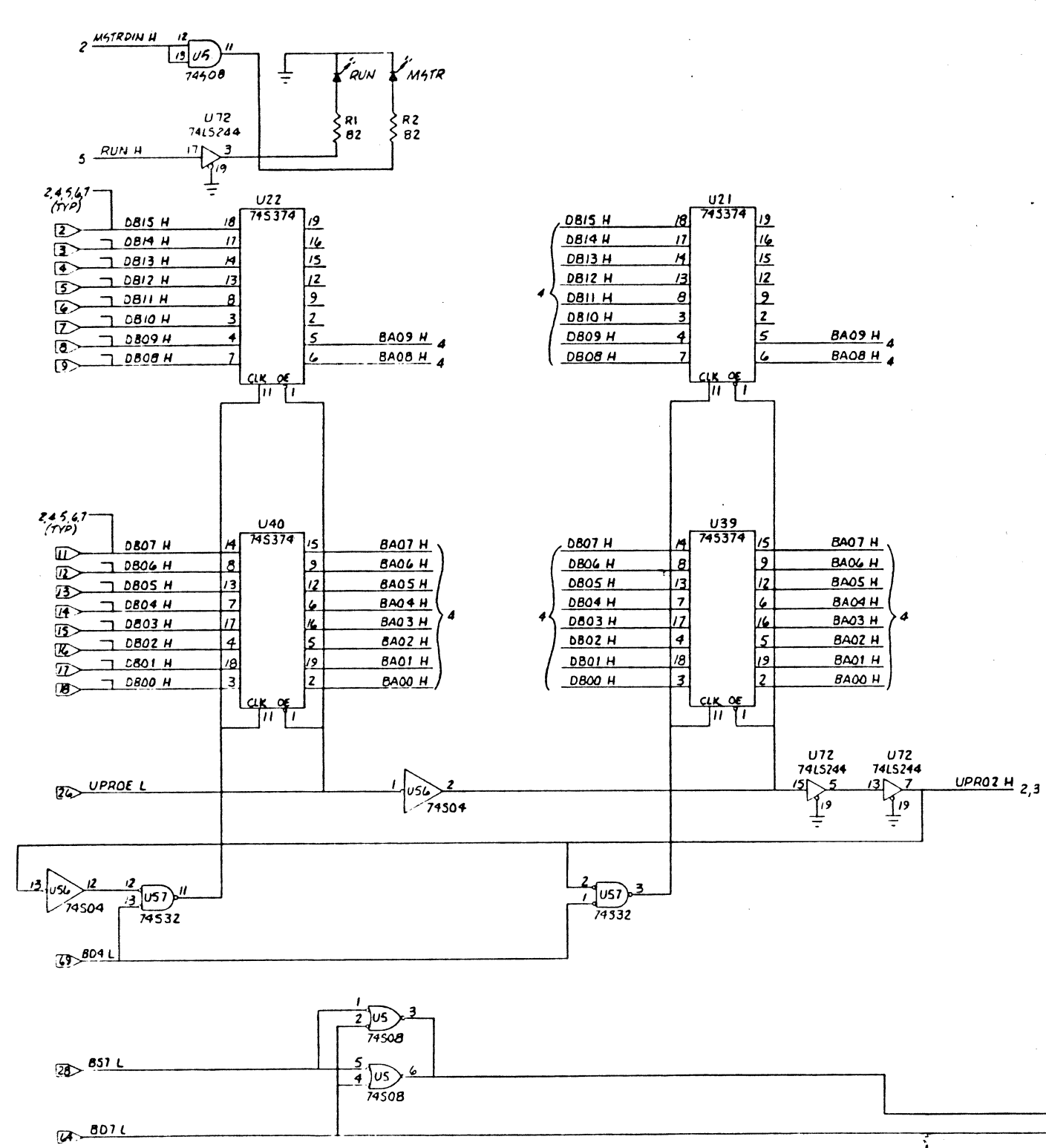
REV.	DESCRIPTION	DATE	APPROVED
1	SEE SHEET ONE		



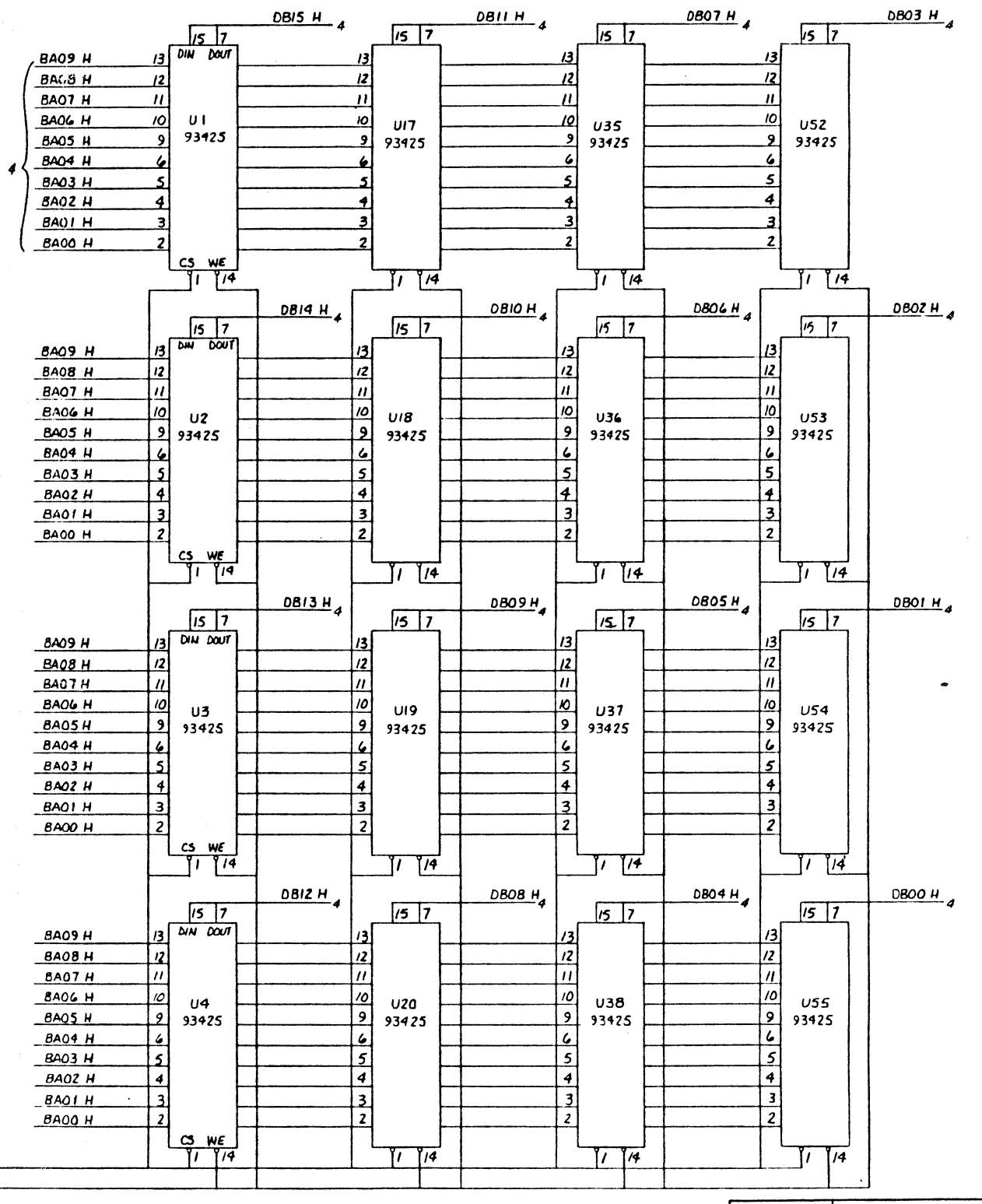
QBUS CONTROL

TOLERANCES UNLESS OTHERWISE SPECIFIED	FRACTIONS DEC ANGLES		
INCHES	D	SU0110602	
APPROVALS	DATE	SCALE	
DRAWN B.	3-12-79	SIZE	
REVISIONS	DESCRIPTION	DATE	APPROVED

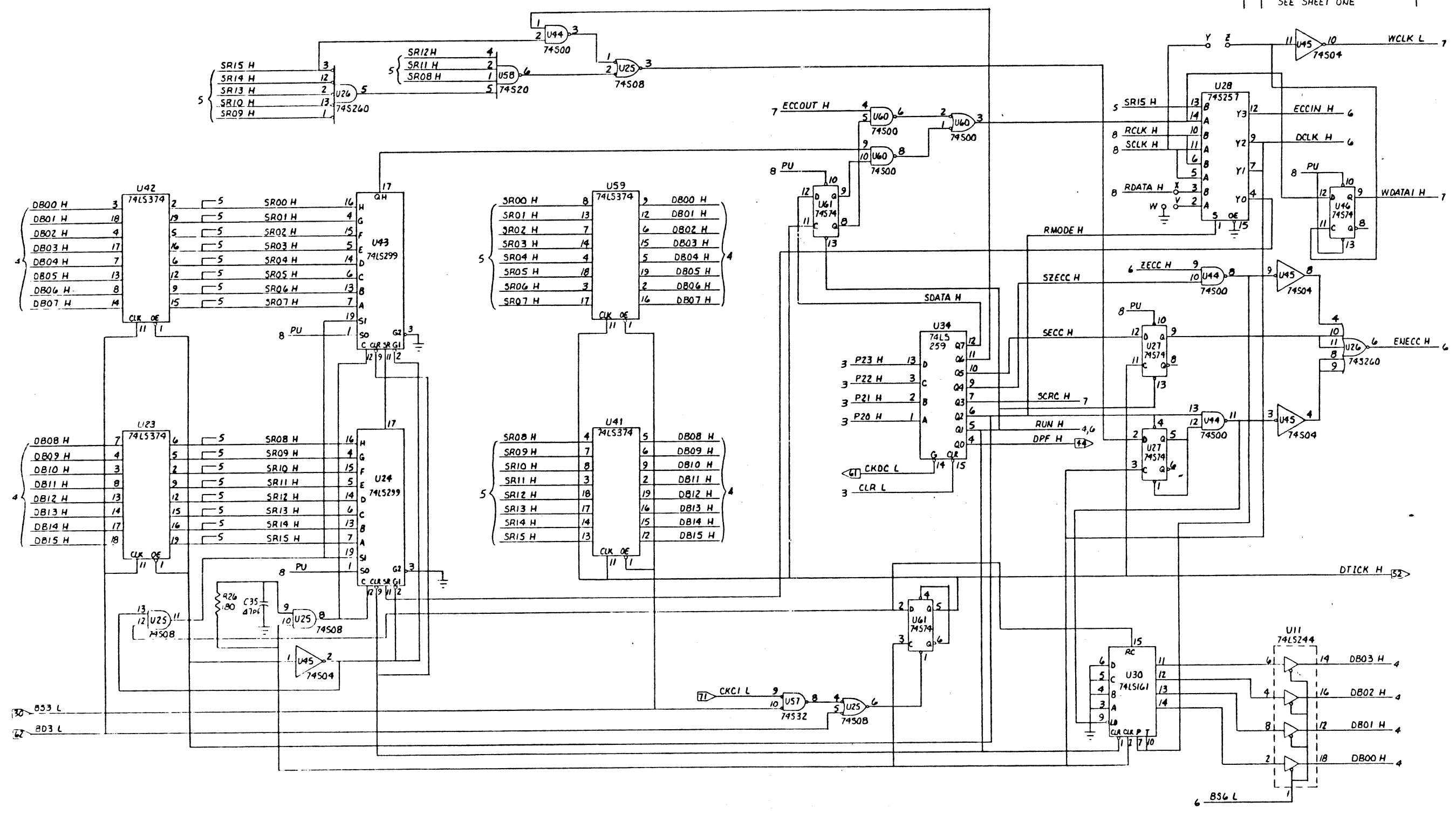
SCHEMATIC DIAGRAM - SU01
 SMD QUAD CONTROLLER
 LSI - 11
 SU0110602



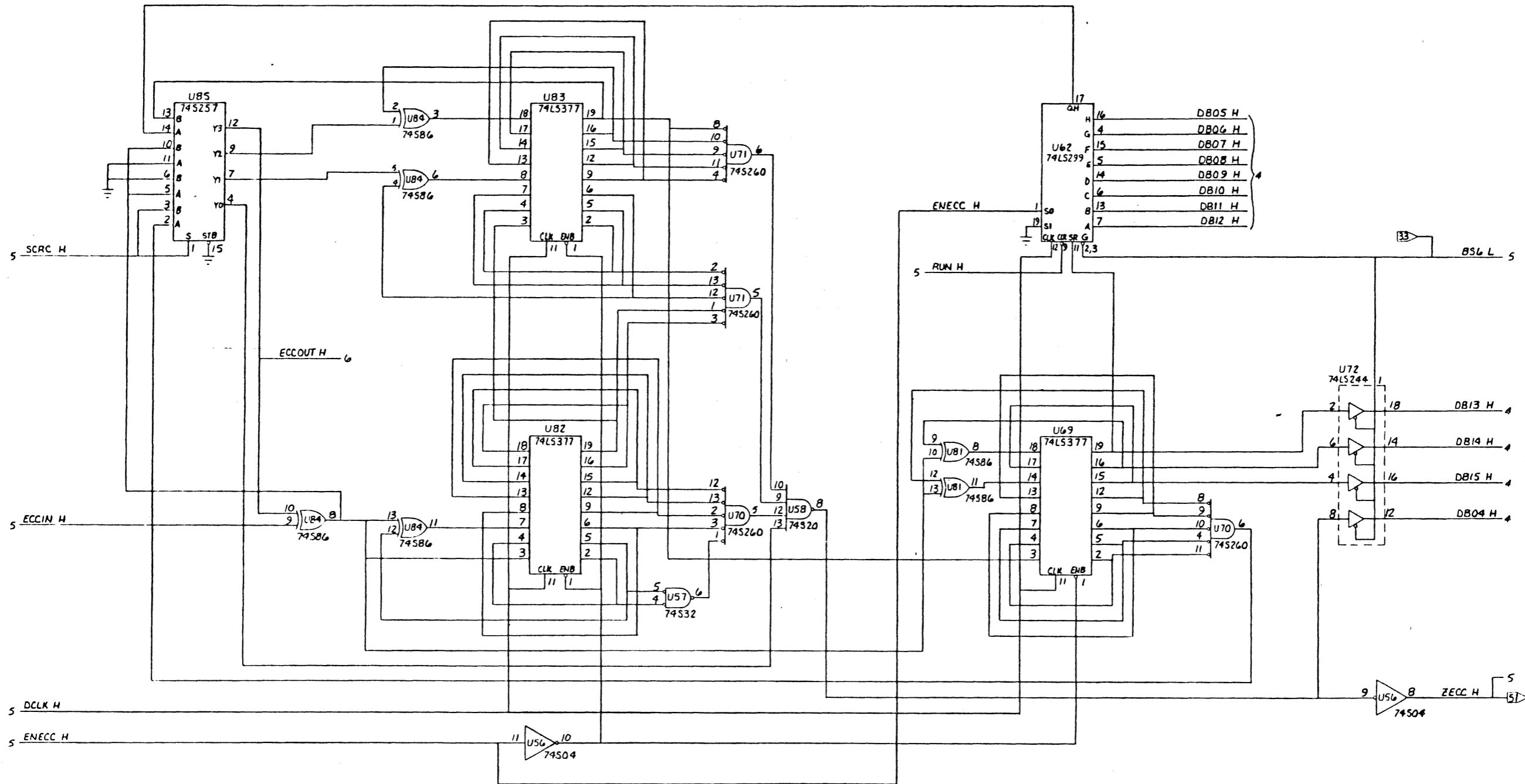
BUFFER ADDRESS REGISTER



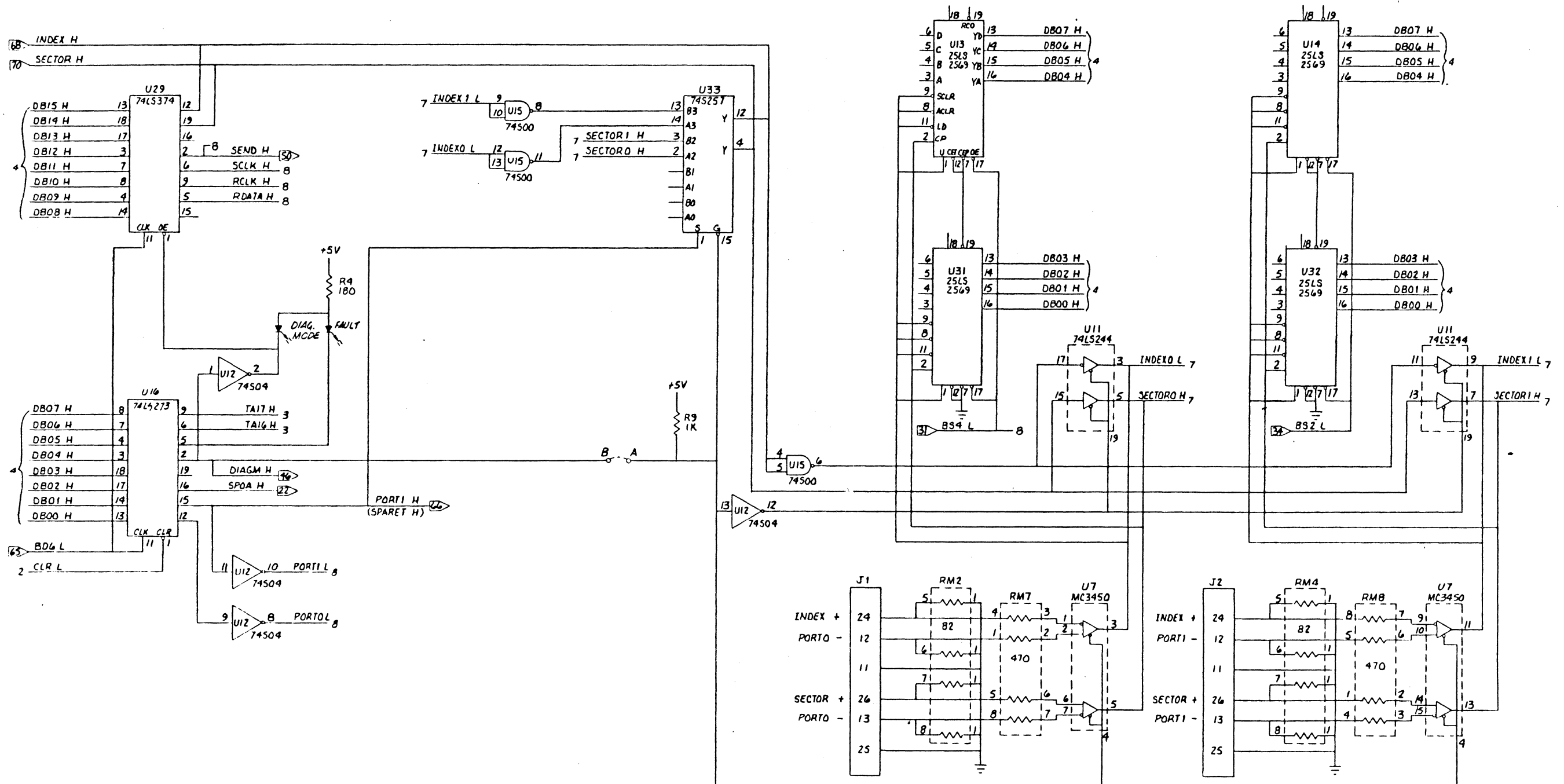
BUFFER



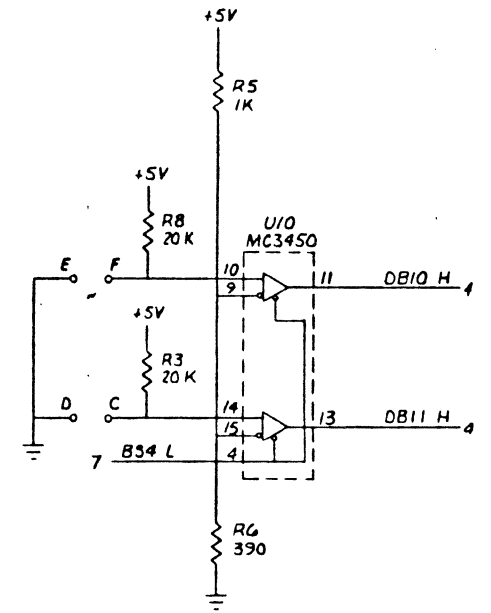
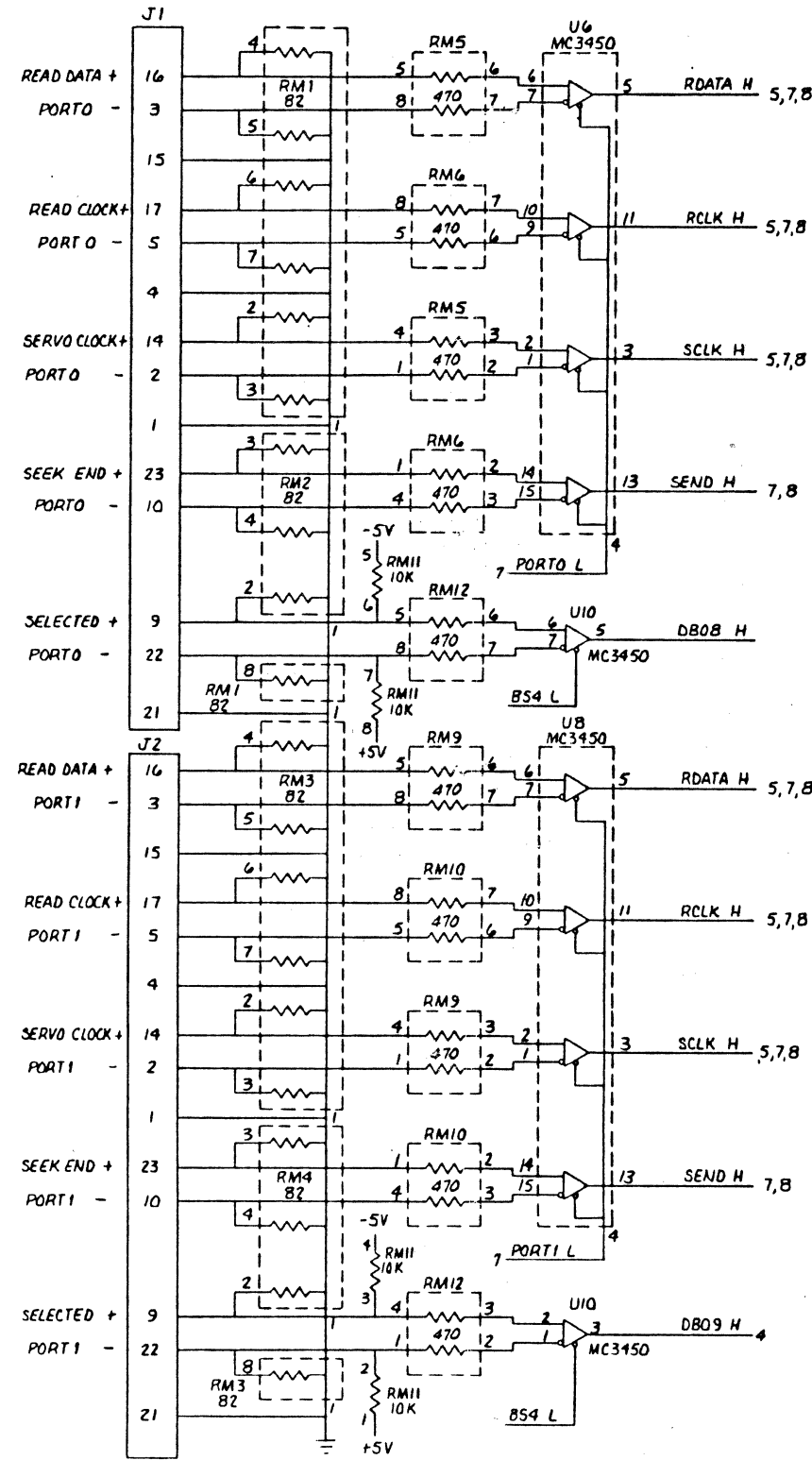
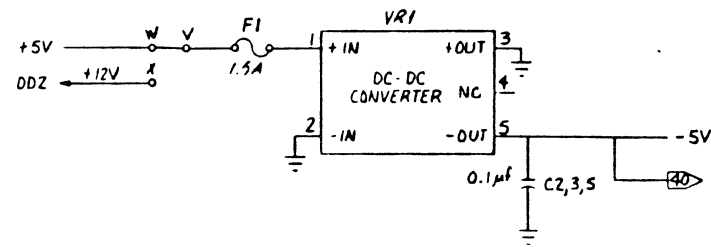
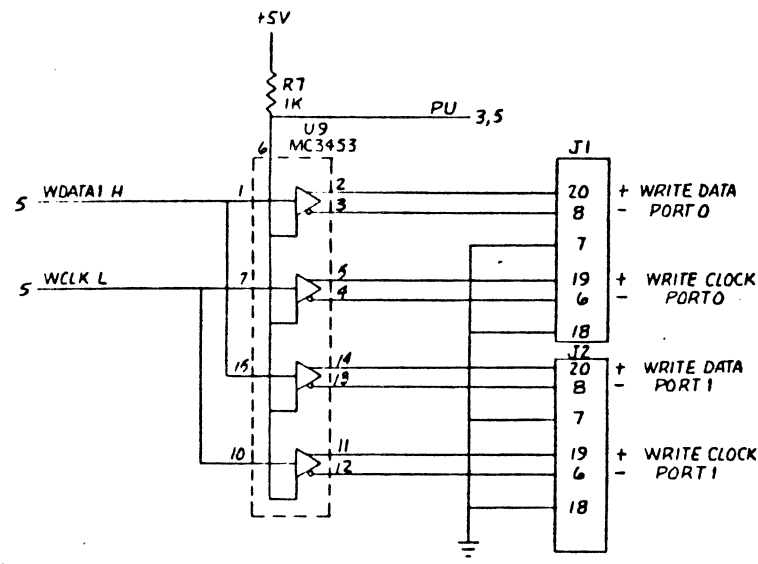
DRIVE DATA



ECC REGISTER AND ZERO DETECT



REVISIONS		
LTR	DESCRIPTION	DATE
-	SEE SHEET ONE	



TOLERANCES UNLESS OTHERWISE SPECIFIED		
FRACTIONS	DEC	ANGLES
±	±	±
APPROVALS DATE		
DRAWN B	3-12-78	
CHECKED		
SCALE	SIZE	DRAWING NO
		D SU01106.02
DO NOT SCALE DRAWING SHEET B OF B		